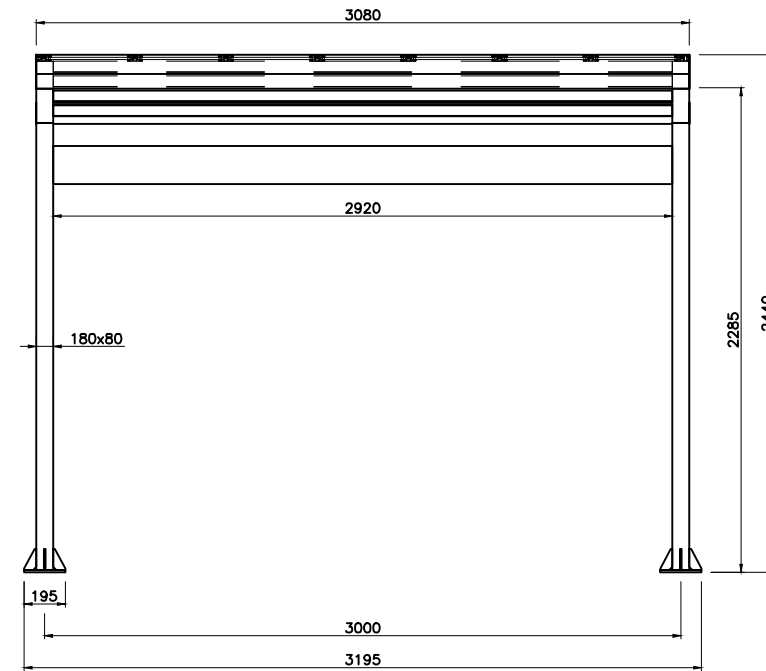
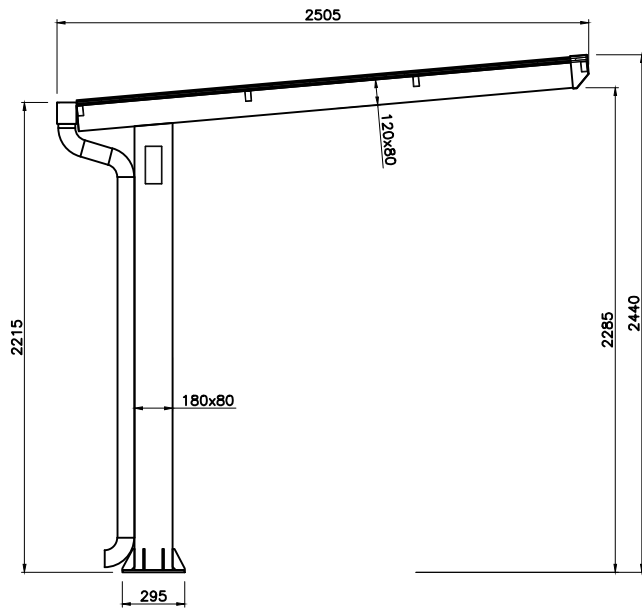
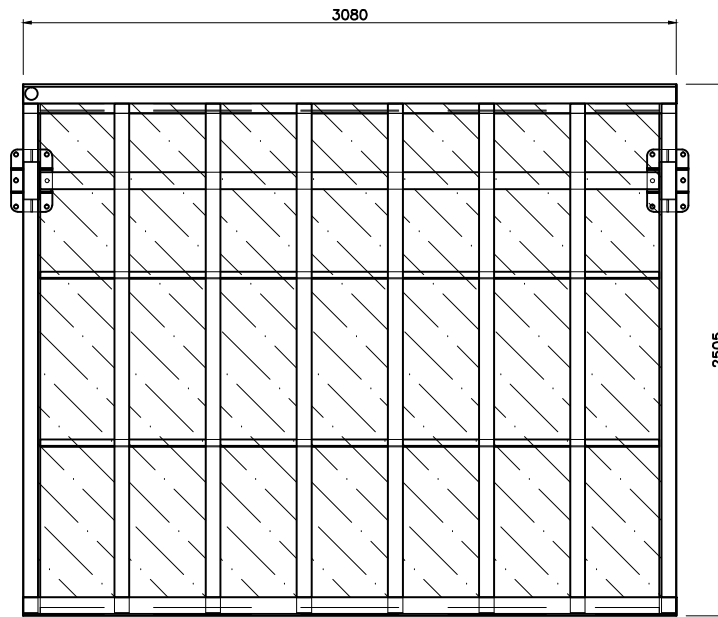
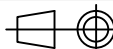
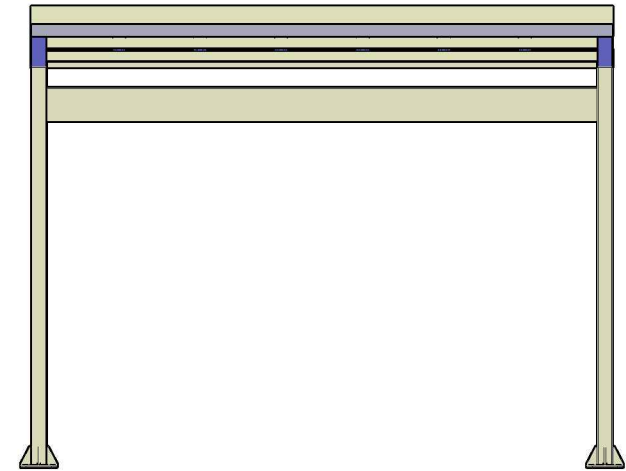
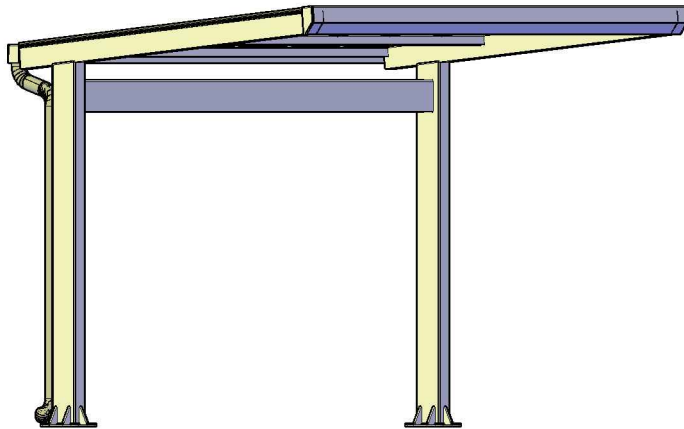
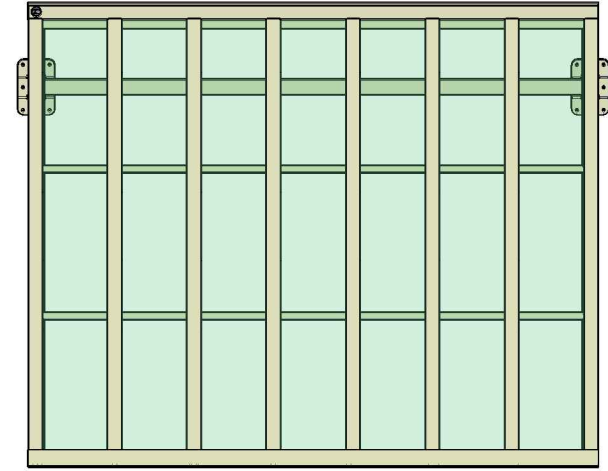
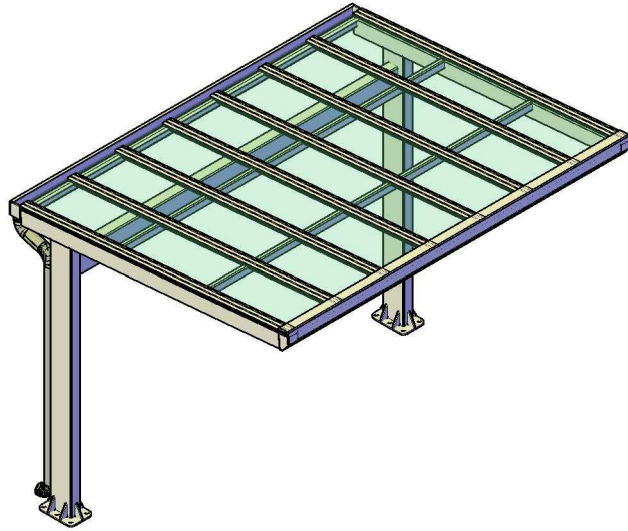


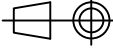
SHELTER 1  
 DIM. 3080x2505xH.2440 mm

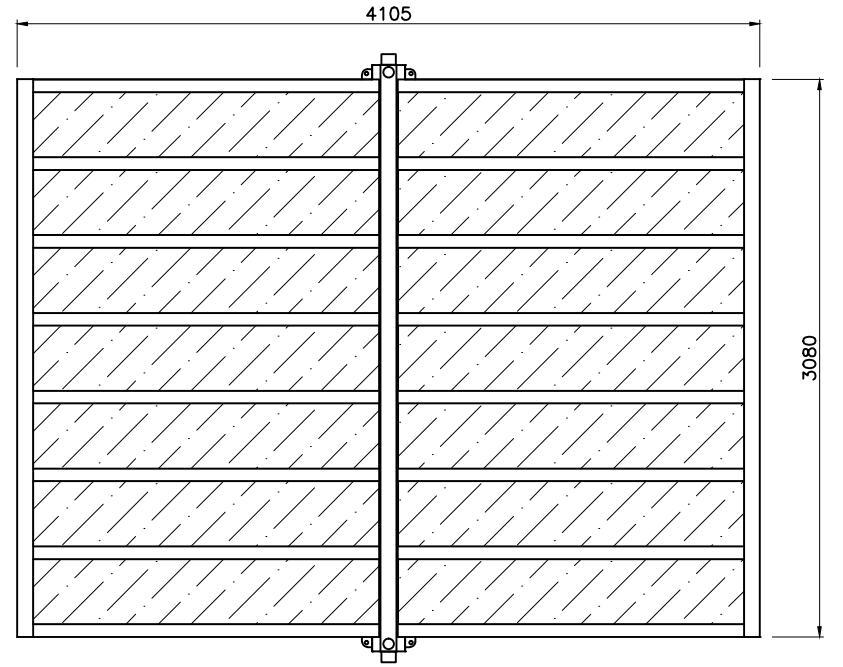
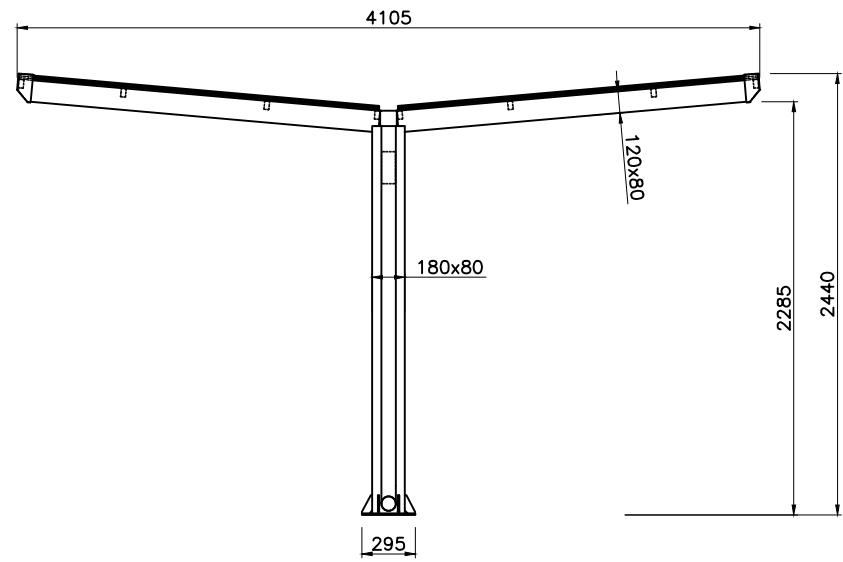
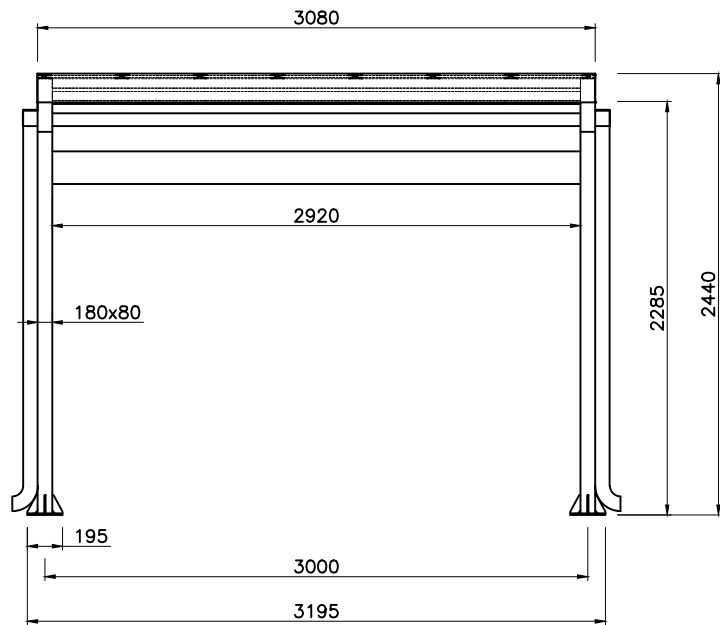


PROJECT SHELTER 1 DIM. 3080x2505xH.2440 mm	CLIENT	SCALE	MAT. FIN.	<b>HELIOS</b>	TYPE	CODE
CODE	N° O.C.	DATE	SIGN ALESSANDRO GIROLAMETTO		1	
					2	
THIS DRAWING CANT BE USED OR REPRODUCED WITHOUT OUR AUTHORISATION					3	
					(S) SPECIFIC MEASURE (I) IMPORTAN MEASURE	

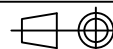
# SHELTER 1



PROJECT SHELTER 1	CLIENT _____	SCALE	MAT. FIN.		<h1>HELIOS</h1>		TYPE	CODE
CODE _____	N° O.C. _____	DATE _____	SIGN ALESSANDRO GIROLAMETTO			1		
THIS DRAWING CAN'T BE USED OR REPRODUCED WITHOUT OUR AUTHORISATION						2		
				3			(S) SPECIFIC MEASURE (I) IMPORTANT MEASURE	



SHELTER 1  
DOUBLE SIDED  
DIM. 3080x4105xH.2440 mm

PROJECT SHELTER 1 DOUBLE SIDED	CLIENT	SCALE	MAT. FIN.		<h1>HELIOS</h1>		TYPE	CODE
CODE	N° O.C.	DATE	SIGN ALESSANDRO GIROLAMETTO			1		
						2		
						3		

THIS DRAWING CAN'T BE USED OR REPRODUCED WITHOUT OUR AUTHORISATION

(S) SPECIFIC MEASURE (I) IMPORTANT MEASURE