



7+



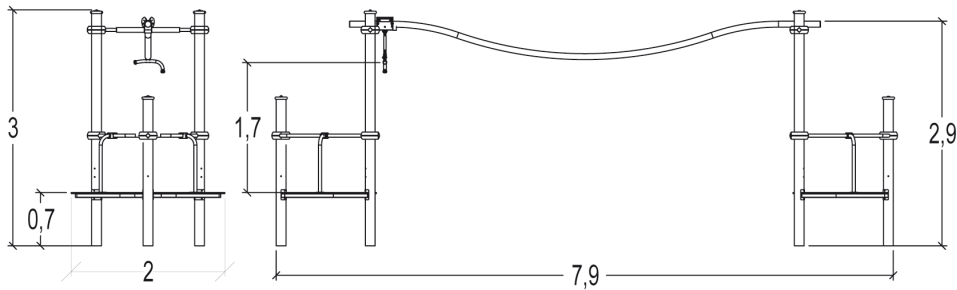
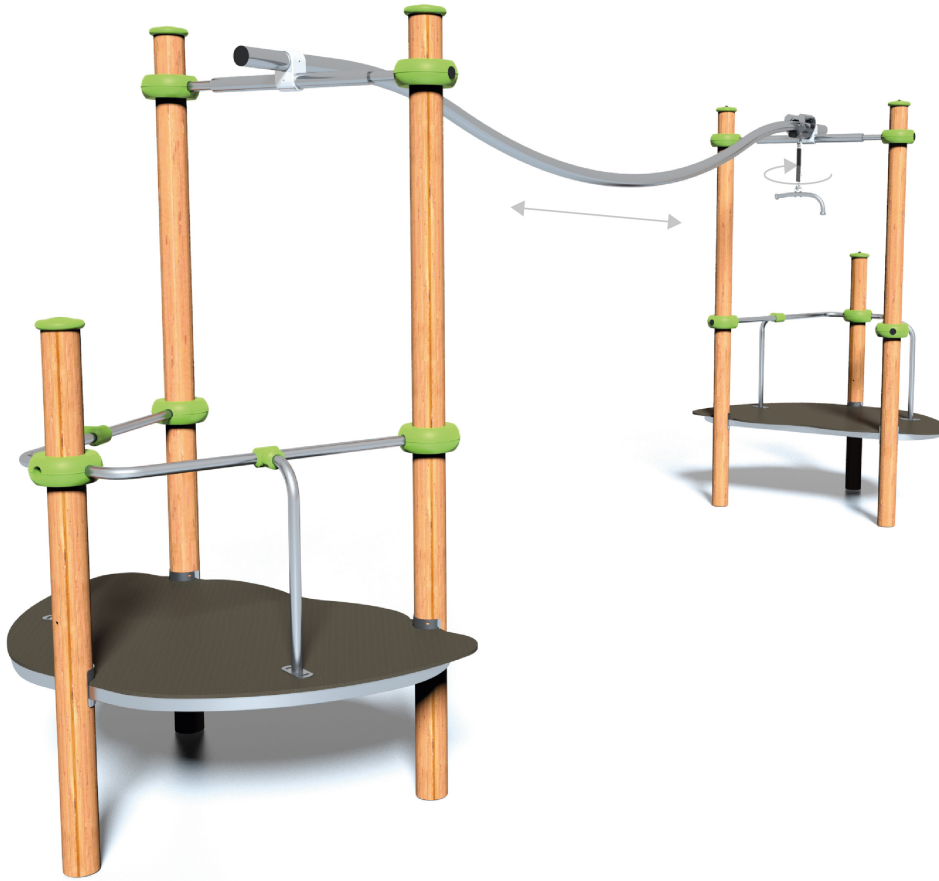
1



0,97m



1 = 7,4m 2 = 3,3m 3 = 3m



Play value : **3**

sliding



meeting



getting across

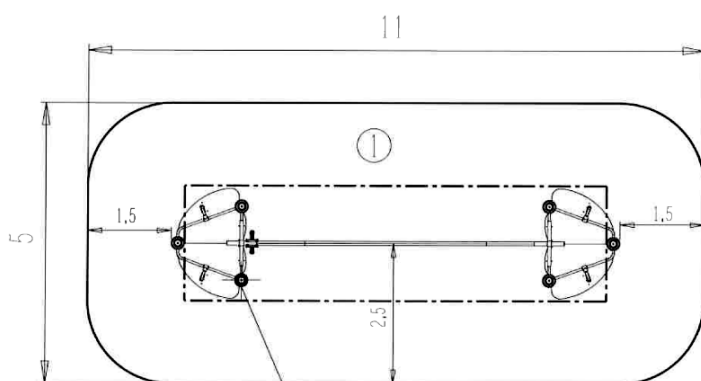






Installation of equipment

Impact area =

-  Impact area
-  Free space



Point de Référence
Setting Out Point
Punto de referencia
Bezugspunkt

	
1	1m
	53,5m ²



2



10h00



0.29m³



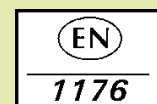
53.5m²



380kg



38kg



Proludic

2013-03-04