

Articolo /item

Codice / Code

TWIST –360° ROTATING SUNBED

-

Finitura /Finishing

GALVANIZED AND POWDER COATED



Sunbed equipped with a mechanism for 360° rotation. It consists of a main frame in laser-cut steel and a perforated base plate for its fixation to the ground with bolts; alternatively available in the version with self-supporting base plate.

The surface is made up of 60x40 mm slats in boiler-pressure impregnated pine wood; on request it can be supplied with hardwood slats.

The sunbed is available in two sizes: 600 mm or 1200 mm.

The metal parts are galvanised and painted with thermosetting polyester powders in different RAL colours.

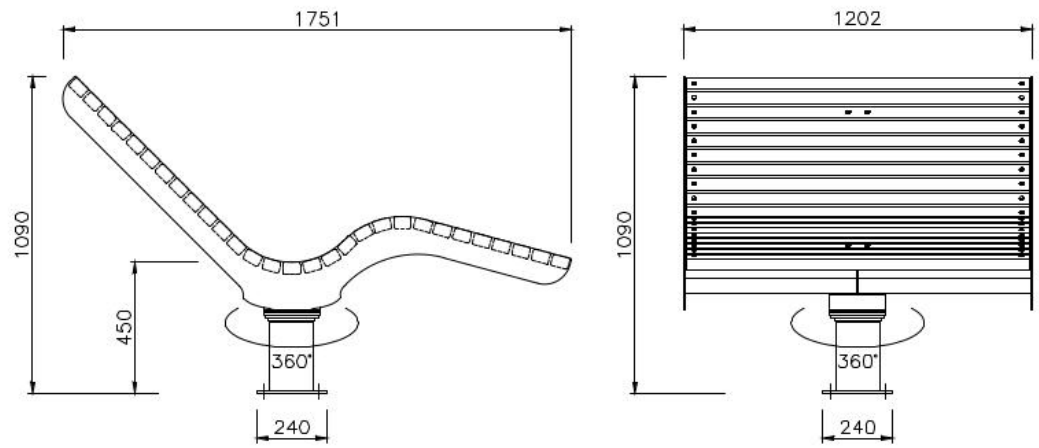
The screws are in stainless steel.

TECHNICAL DATA

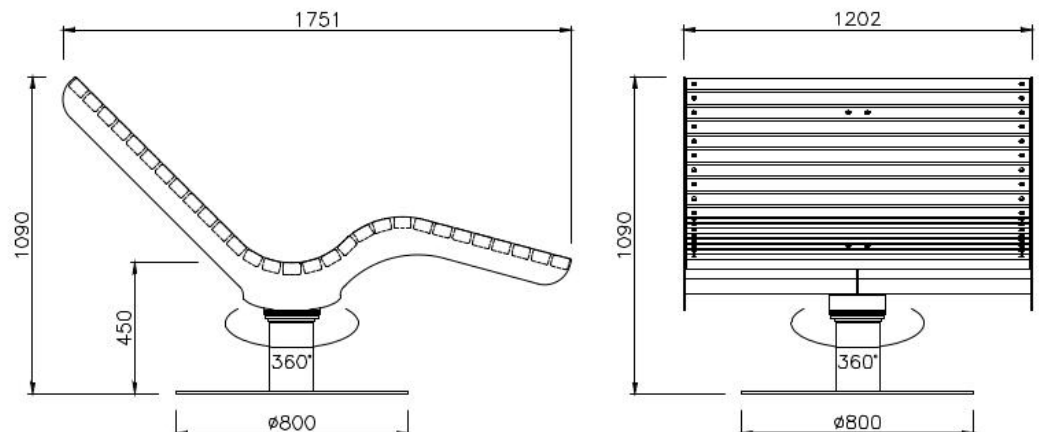
Dimensions: 1751x1202 mm

Height: 1090 mm

Weight: 170 Kg
(version L.1202 mm)



VERSIONE CON BASE AUTOPORTANTE



NOTE