

Meeter

Sofa



This product has been created for:

- > Cafés and restaurants
- > Waiting areas
- > Tight conditions
- > Private conversations



Design: Argo Tamm

Meeter is a **modular sofa for all kinds of public space**: restaurants, waiting areas, offices and more. It can be put together from modules of three different heights whose width is your choice: anywhere between 62-150 cm. Adding a touch of character is the sofa's slender metal legs. Meeter solutions are ideal for team and individual work. They can be formed into combinations for group work or used to divide up your space into separate units. The filling and covering materials are durable and fireproof, as public space demands.

Meeter sofa complies with the standard EN 16139:2013 furniture strength, durability and safety requirements for non-domestic seating level on test severity L2 requirements. This makes Meeter suitable for extreme use: E.g. in night-clubs, police stations, transport terminals, sport changing rooms, prisons, barracks and other non-controlled areas.



Product information



Plug-in option

Frame

Solid wood and plywood

Upholstery

Seats and backrest have durable and fireproof HR foam; seat cushions and backrest pillows are fixed

Legs

Powder-coated metal: matte black RAL 9005; anti-slip soles (optional)
Socket option, wooden legs

Modularity

Modules can be connected together

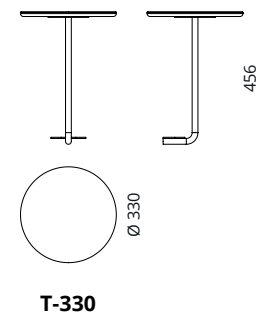
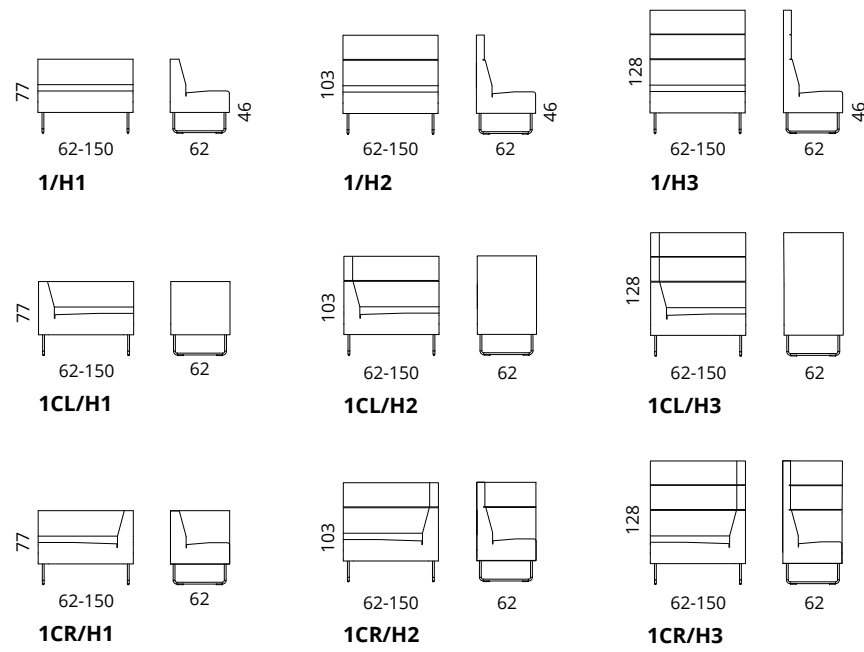
Additional Information

The cover fabric is not removable; wide range of cover materials, including flame-retardant textiles; custom lengths available

Dimensions

Standard lengths 62, 80, 100, 120, 150
Custom lengths available

Modular pieces

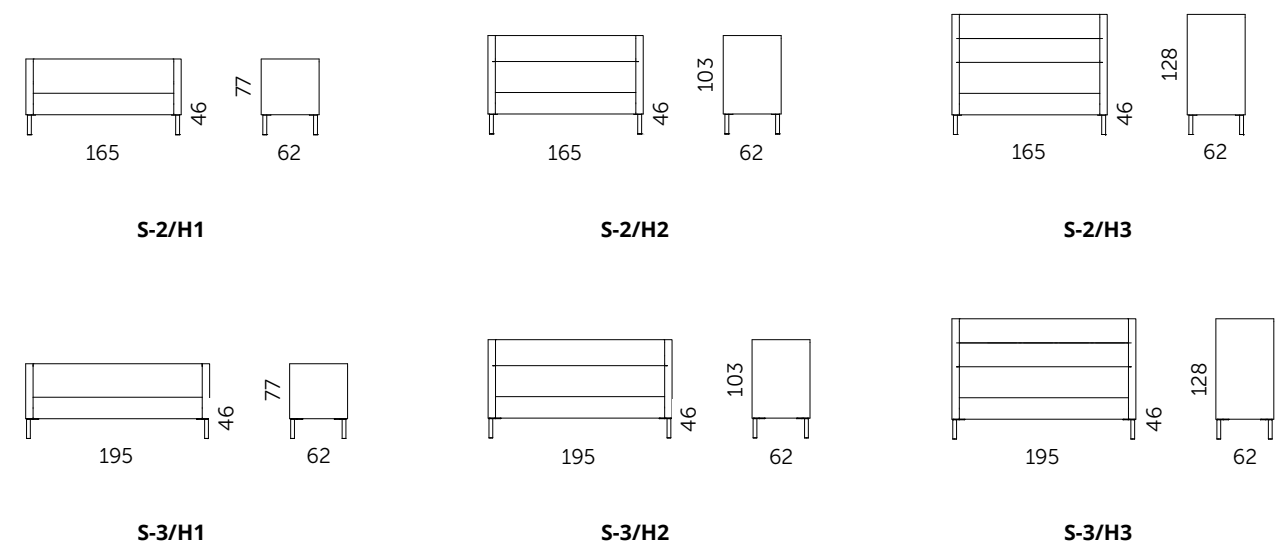


All dimensions provided in centimetres.

Seat depth: 45 cm

Dimensions

Meeter Sofa



Legs



Seat depth: 45 cm

All dimensions provided in centimetres.

