



5+



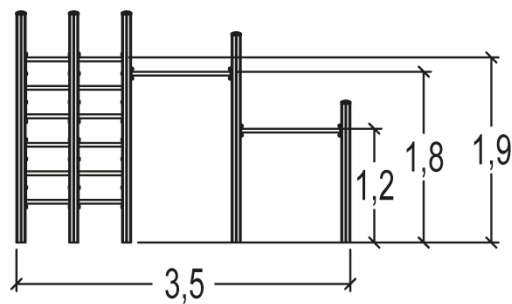
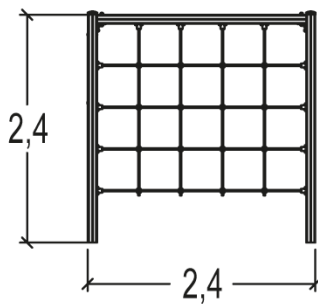
11



2,4m



1 = 3,5m 2 = 2,4m 3 = 2,4m



Play value : 6

hanging



x2

climbing

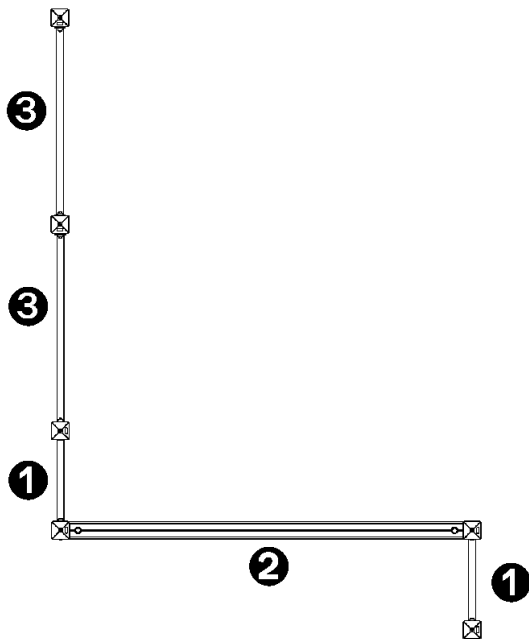


x2

getting across



x2

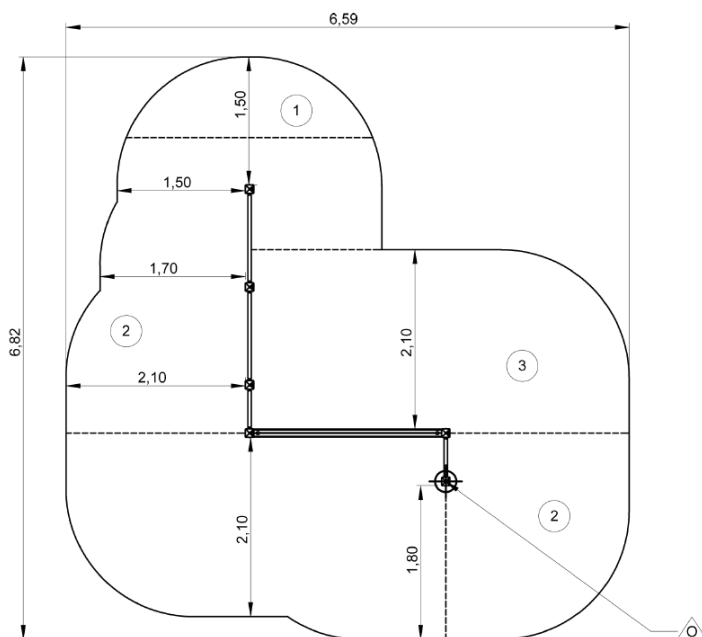


- ❶ Echelle verticale /horizontale
- ❷ Net
- ❸ Horizontal bar

Installation of equipment

Impact area =

- Impact area
- Free space



1	1,2m	2m ²
2	1,95m	13,5m ²
3	2,4m	18,5m ²



2



03h00



0.2m³



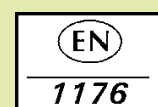
34m²



162kg



20kg



Proludic

0000-00-00