



5+



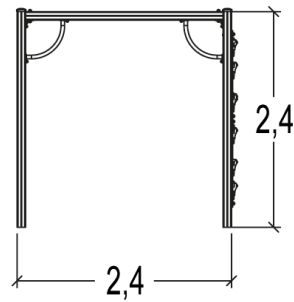
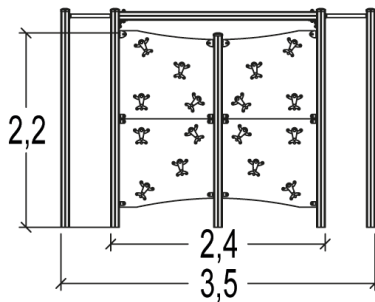
20



2,4m



1 = 3,5m 2 = 2,4m 3 = 2,4m



Play value :

7

climbing



x1

hanging



x1

climbing

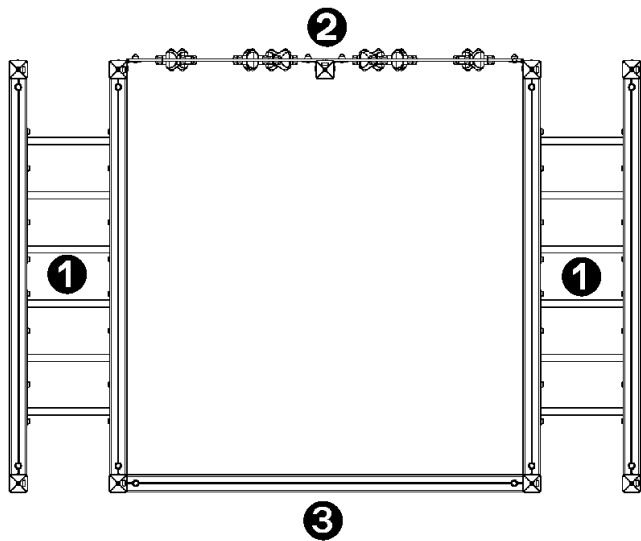


x2

getting across



x3

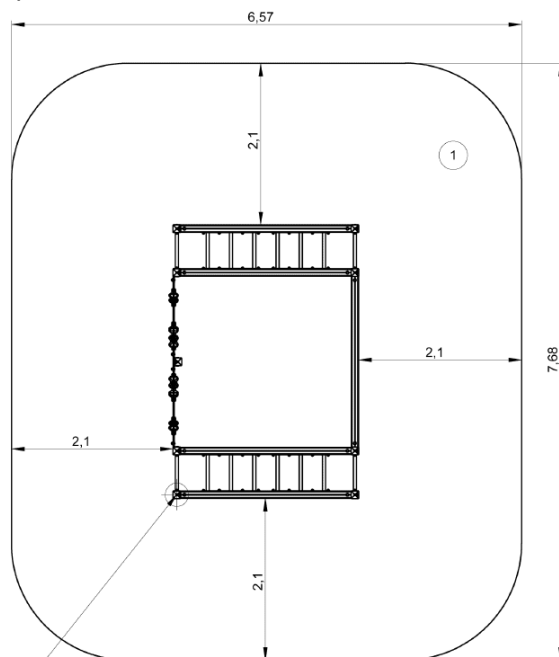


- ① Echelle verticale /horizontale
- ② Climbing wall
- ③ Net

## Installation of equipment

Impact area =

- Impact area
- Free space



1	2,4m
	49m <sup>2</sup>



2



07h00



0.3m<sup>3</sup>



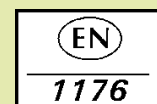
49.5m<sup>2</sup>



414kg



20kg



*Proludic*

0000-00-00