



6+



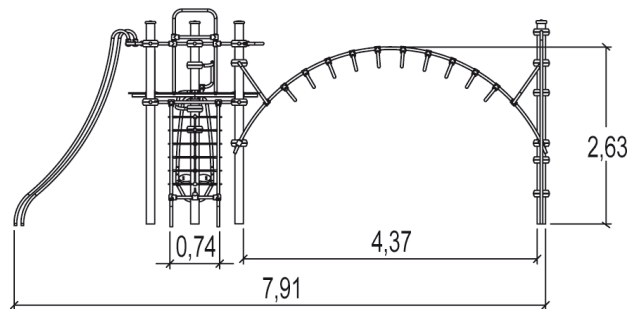
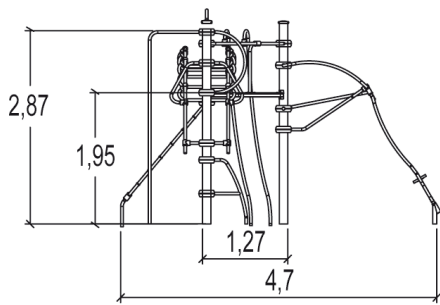
17



2,4m



1 = 7,97m 2 = 4,8m 3 = 3,3m



Play value : 9

sliding



x2

meeting



x1

hanging



x1

rotating



x1

climbing

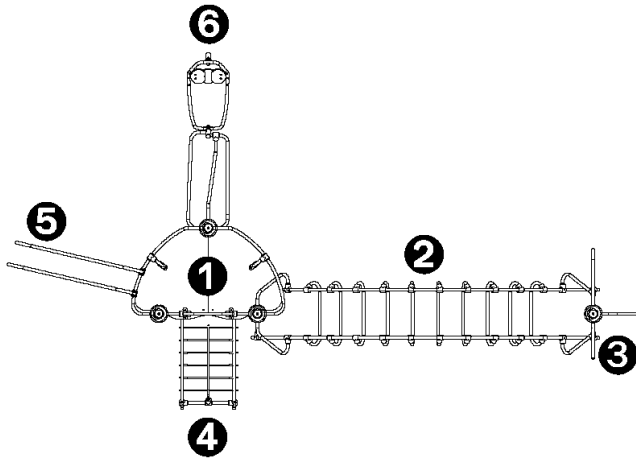


x3

getting across



x1

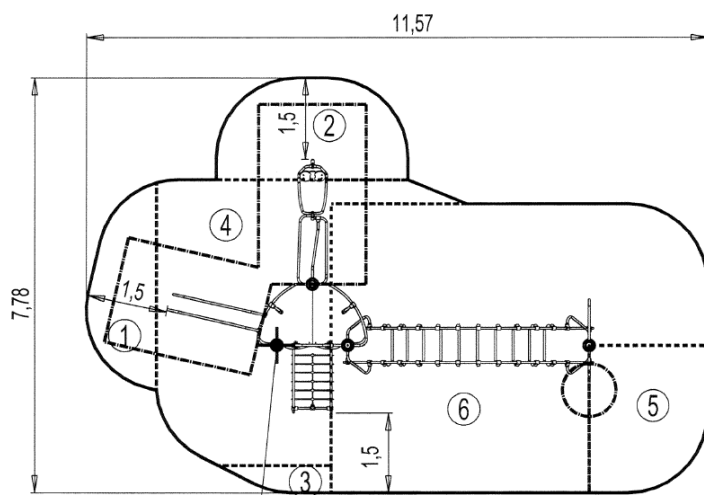


- ① Gamma tower
- ② Great arch
- ③ Parrot mast
- ④ Incline net
- ⑤ Speed slide
- ⑥ Gyro

Installation of equipment

Impact area =

- Impact area
- Free space



Point de Référence
Setting Out Point
Punto de referencia
Bezugspunkt
Referentiepunt



1	0,6m	4m ²
2	0,7m	6m ²
3	1m	1m ²
4	1,95m	18m ²
5	2m	6m ²
6	2,4m	31,5m ²



2



17h00



0.4m³



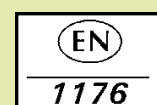
66.5m²



383kg



54kg



Proludic

2012-10-09