

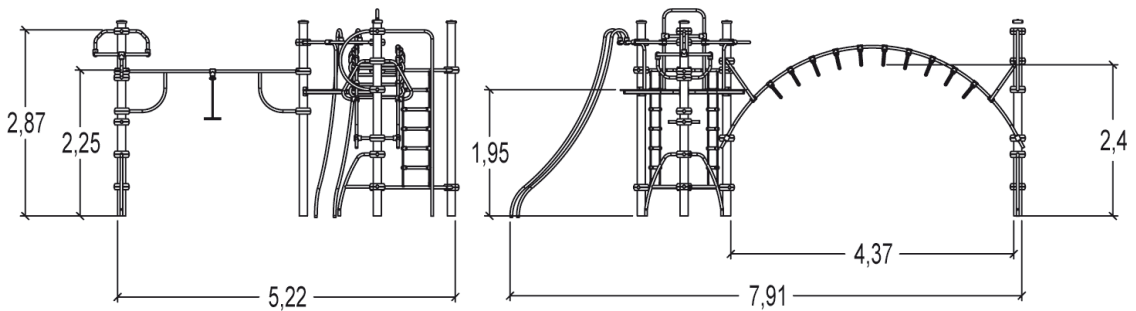
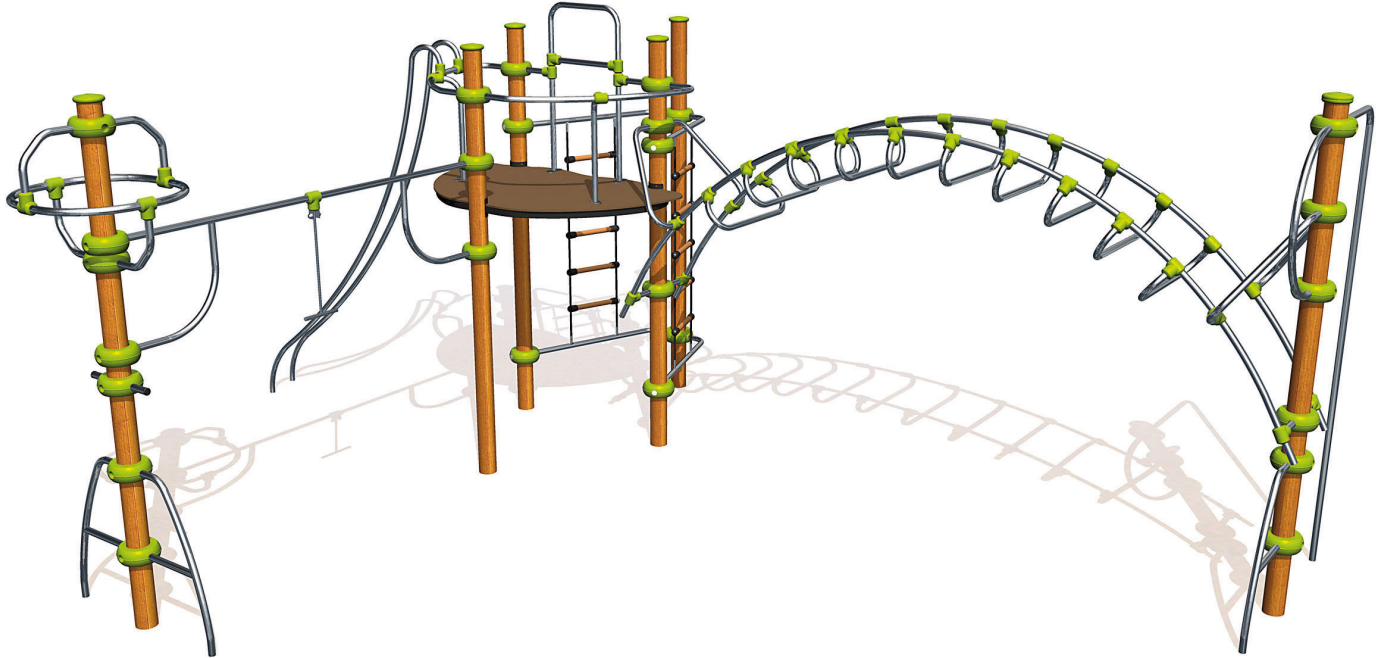


6+

17

2,5m

1 = 8,17m 2 = 5,66m 3 = 3,2m



Play value : 10

sliding



x2

meeting



x1

hanging



x2

climbing

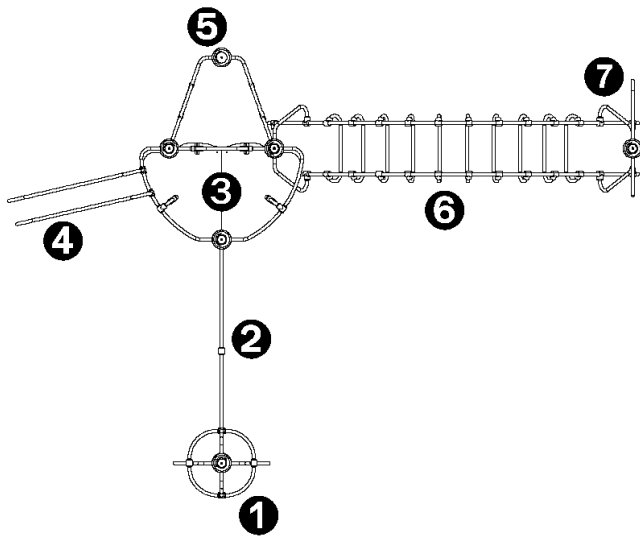


x4

getting across



x1

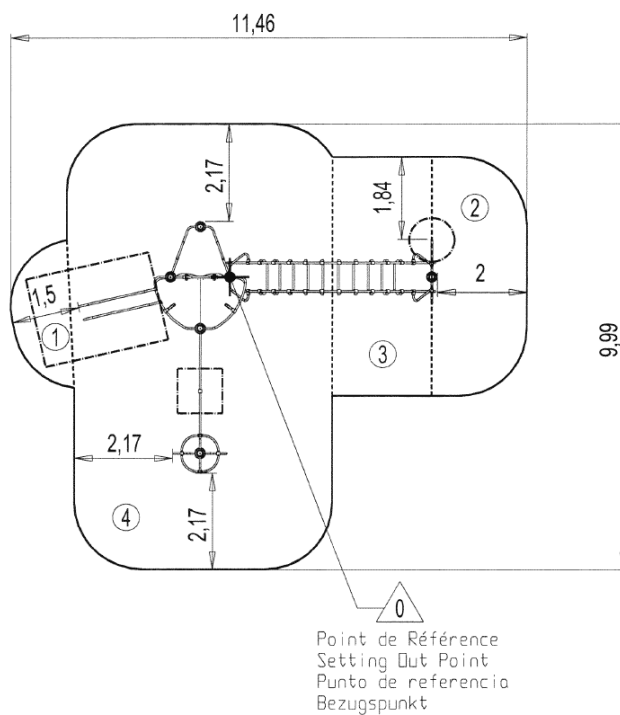


- ❶ Crow's nest
- ❷ Gyrospiral
- ❸ Gamma tower
- ❹ Speed slide
- ❺ Climbing frame
- ❻ Great arch
- ❼ Parrot mast

Installation of equipment

Impact area =

- Impact area
- Free space



| 1 | 0,60m | 3,5m ² |
|---|-------|--------------------|
| 2 | 2m | 10,5m ² |
| 3 | 2,40m | 12m ² |
| 4 | 2,50m | 56,5m ² |



2



19h45



0.8m³



82.5m²



454kg



54kg



Proludic

2012-10-09