



6+



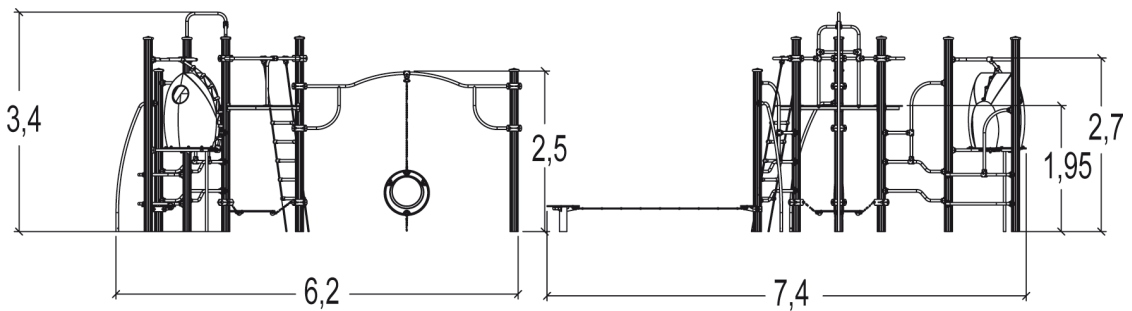
18



2,2m



1 = 7,48m 2 = 6,28m 3 = 3,4m



Play value : 14



x2



x1



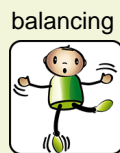
x2



x1



x1



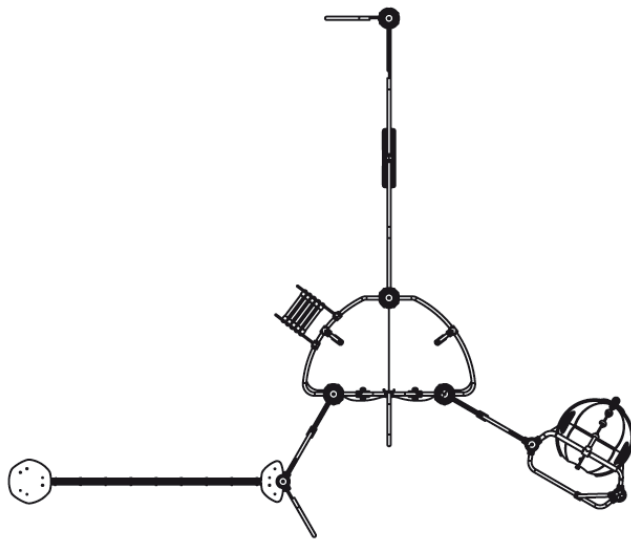
x2



x3



x2

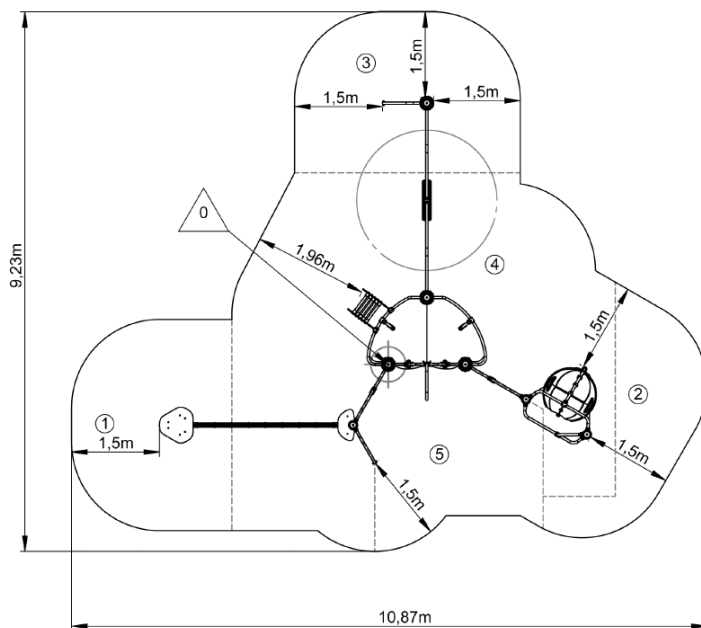




- ① Gamma tower
- ② Rope ladder
- ③ Fireman's pole
- ④ Suspended platform
- ⑤ Balance sling
- ⑥ Cocoon
- ⑦ Suspended buoy

Installation of equipment

Impact area =

-  Impact area
-  Free space



		
1	0,4m	9m ²
2	1,3m	5,5m ²
3	1,5m	10m ²
4	1,95m	29m ²
5	2,2m	8m ²



2



08h00



1.1m³



61.5m²



486kg



65kg



Proludic

0000-00-00