

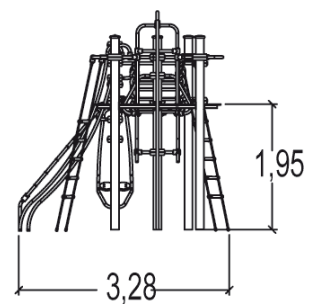
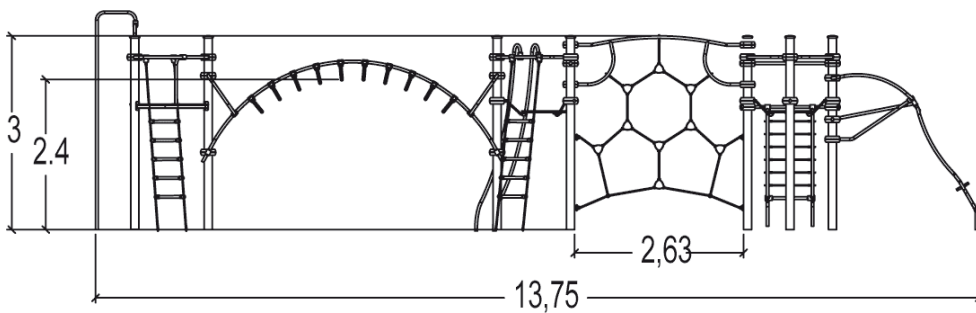
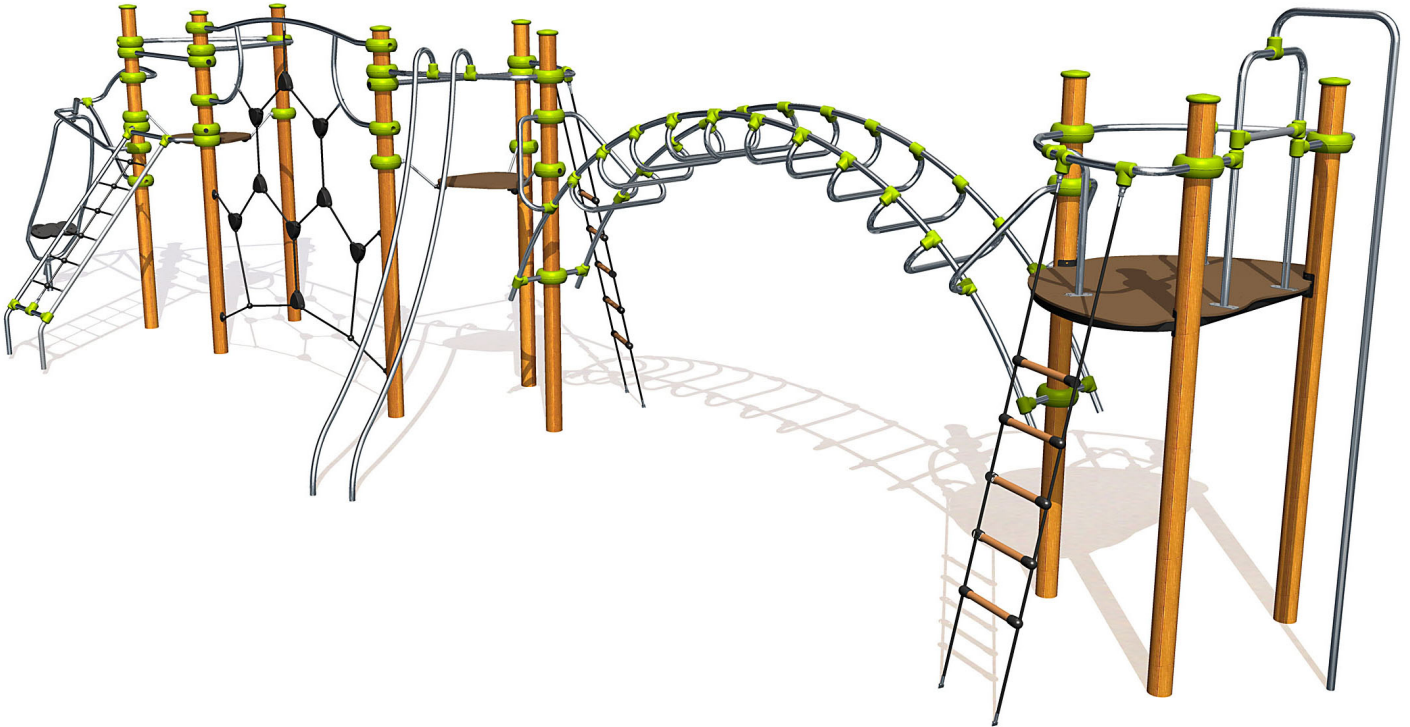


6+

28

3m

1 = 13,82m 2 = 3,2m 3 = 3,4m



Play value : 13

sliding



x2

meeting



x2

hanging



x1

balancing



x1

rotating



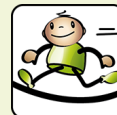
x1

climbing

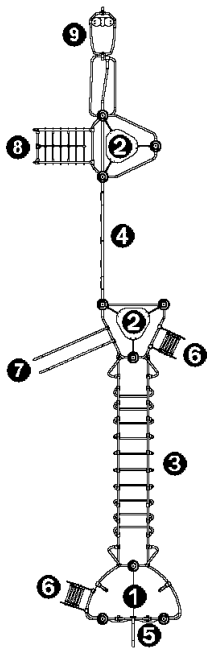


x4

getting across



x2

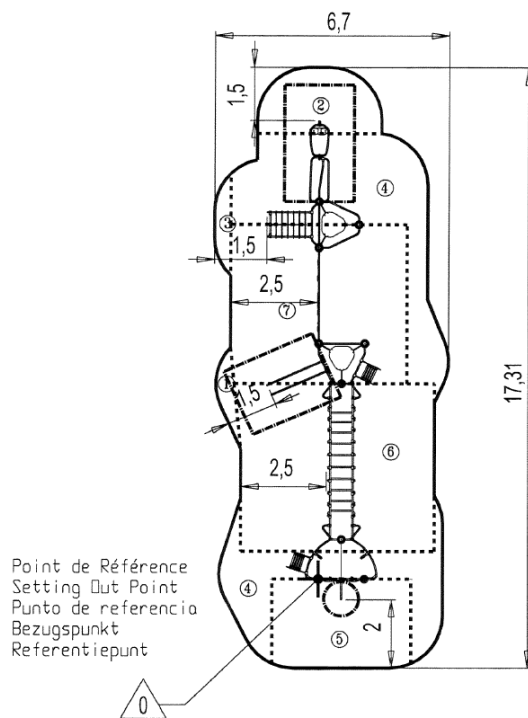


- ① Gamma tower
- ② Delta tower
- ③ Great arch
- ④ Net IXO
- ⑤ Fireman's pole
- ⑥ Rope ladder
- ⑦ Speed slide
- ⑧ Delta Incline net
- ⑨ Gyro

## Installation of equipment

Impact area =

- Impact area
- Free space



1	0,6m	1m <sup>2</sup>
2	0,7m	6m <sup>2</sup>
3	1m	1m <sup>2</sup>
4	1,95m	27,5m <sup>2</sup>
5	2,2m	10,5m <sup>2</sup>
6	2,4m	27m <sup>2</sup>
7	3m	23m <sup>2</sup>



2



24h00



1.4m<sup>3</sup>



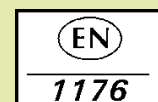
96m<sup>2</sup>



628kg



54kg



*Proludic*

2012-10-09