

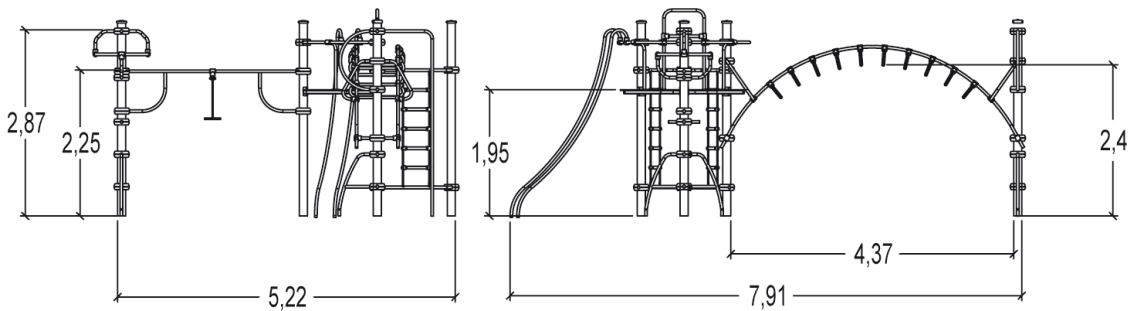
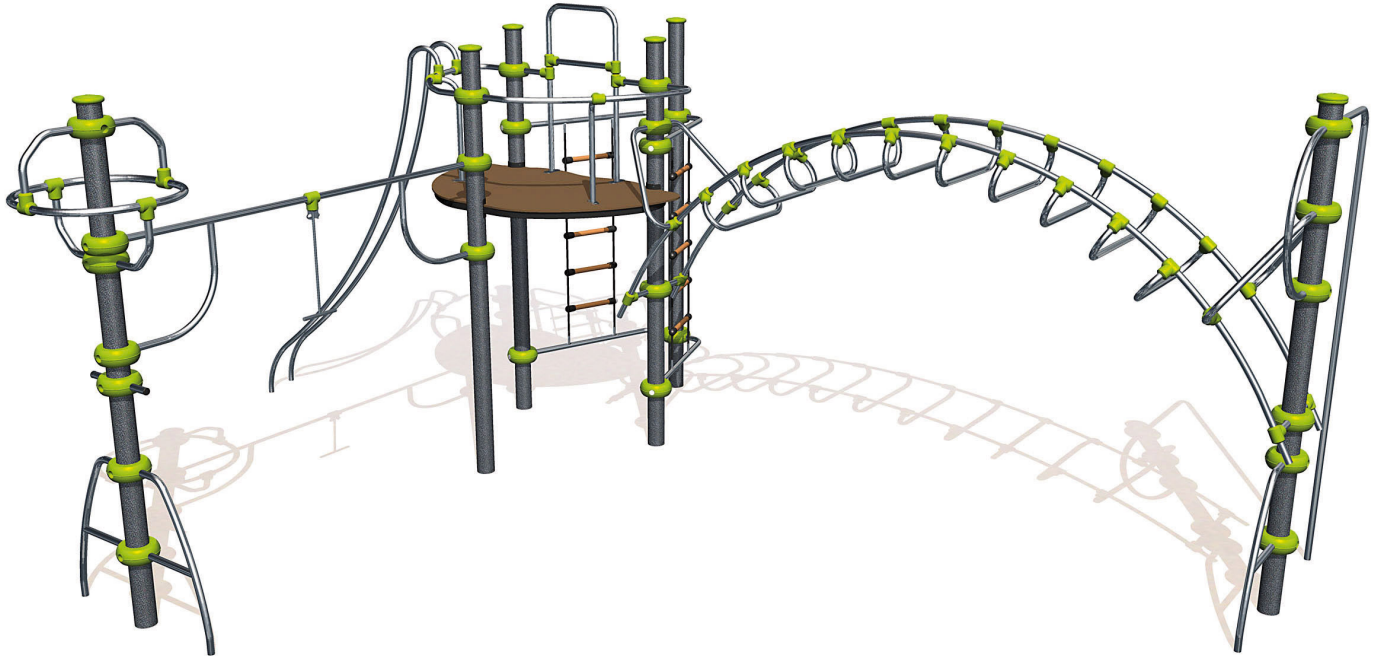


6+

17

2,5m

1 = 8,17m 2 = 5,66m 3 = 3,2m



Play value : 10

sliding



x2

meeting



x1

hanging



x2

climbing

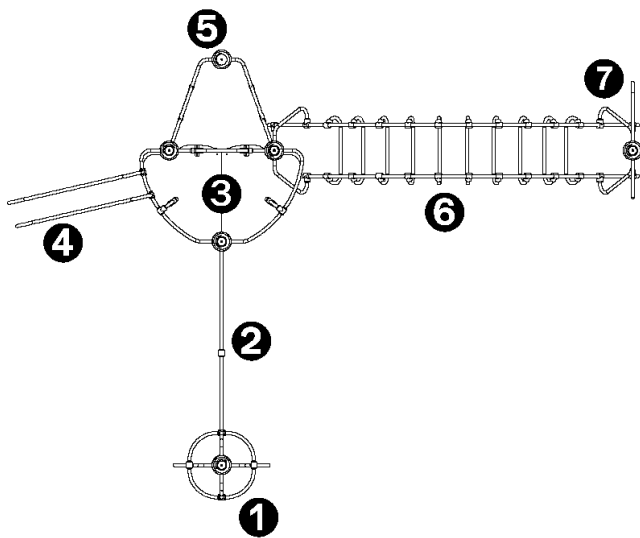


x4

getting across



x1

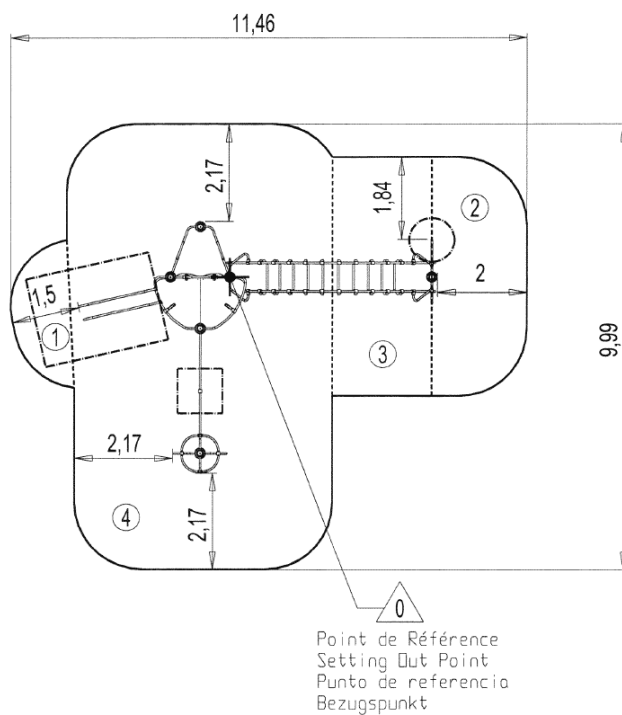


- ① Mât de vigie
- ② Le Gyrospire
- ③ Tour Gamma
- ④ Speed slide
- ⑤ Portique à grimper
- ⑥ Great arch
- ⑦ Parrot mast

Installation of equipment

Impact area =

- Impact area
- Free space



1	0,60m	3,5m ²
2	2m	10,5m ²
3	2,4m	12m ²
4	2,5m	56,5m ²



2



19h45



0.8m³



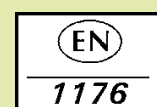
82.5m²



476kg



54kg



Proludic

2012-10-09