



6+



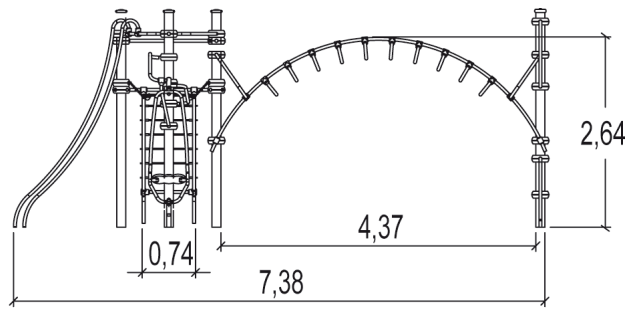
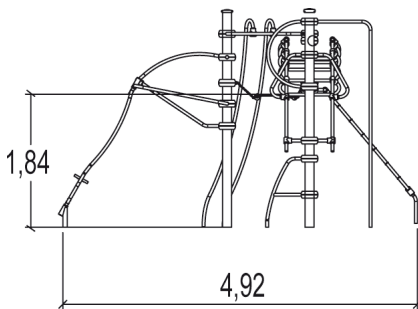
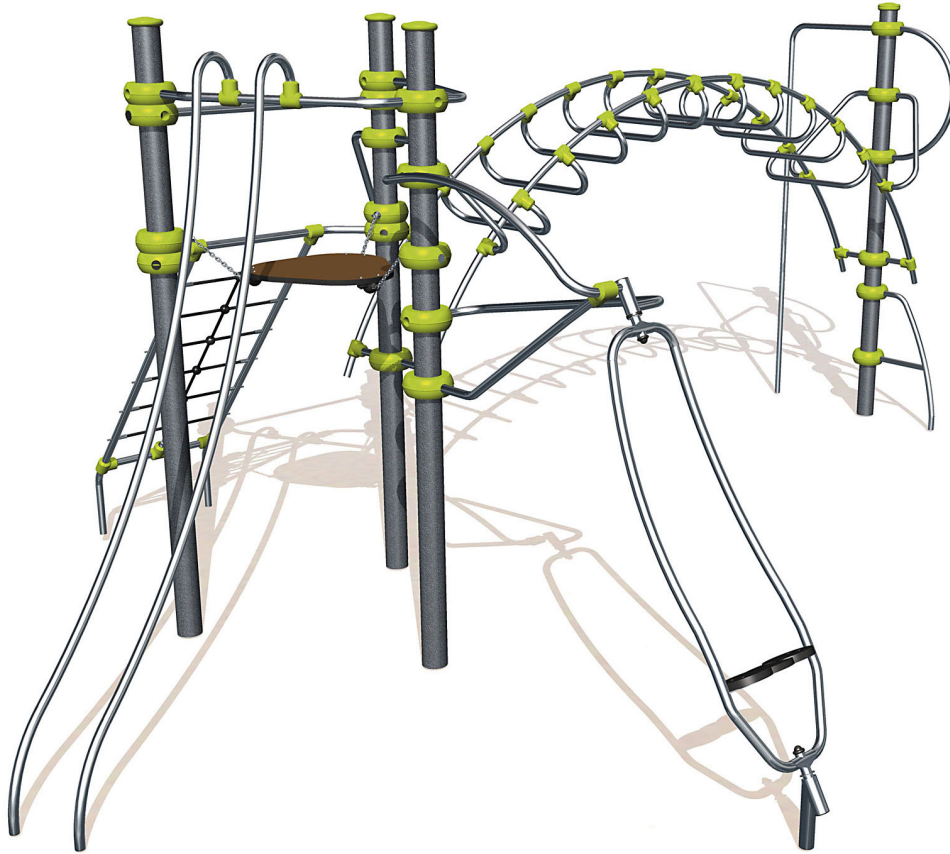
15



2,4m



1 = 7,92m 2 = 4,98m 3 = 3m



Play value : 10

sliding



x2

meeting



x1

hanging



x1

balancing



x1

rotating



x1

climbing

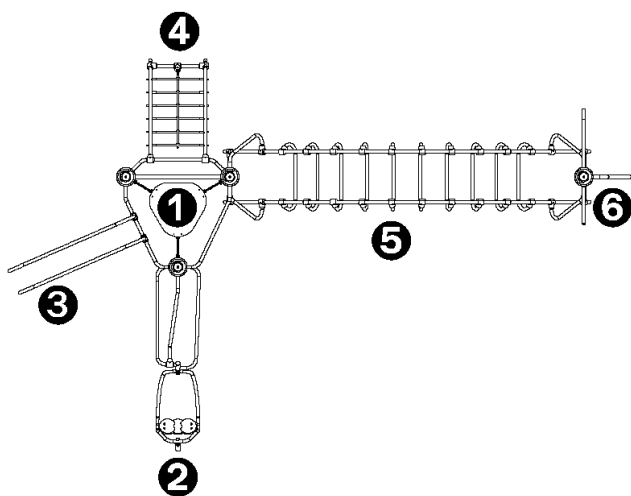


x3

getting across



x1

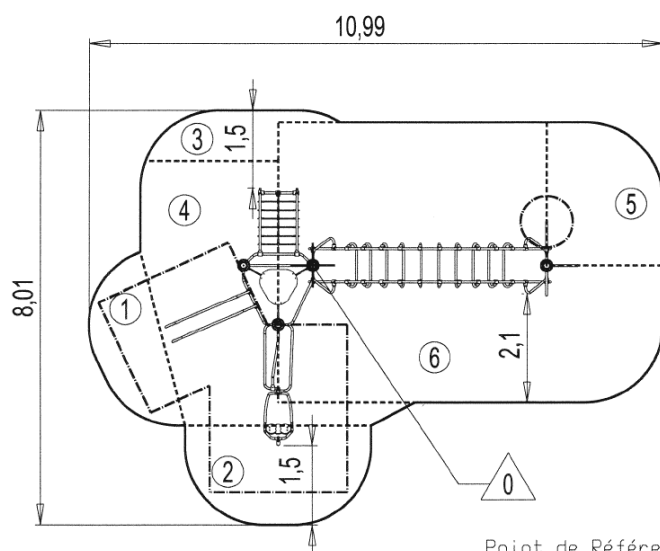


- 1 Tour Delta
- 2 Gyro
- 3 Speed slide
- 4 Delta Incline net
- 5 Great arch
- 6 Parrot mast

## Installation of equipment

Impact area =

- Impact area
- Free space



Point de Référence  
Setting Out Point  
Punto de referencia  
Bezugspunkt  
Referentiepunt

1	0,60m	4m <sup>2</sup>
2	0,70m	6m <sup>2</sup>
3	1,00m	2,5m <sup>2</sup>
4	1,95m	13m <sup>2</sup>
5	2m	6m <sup>2</sup>
6	2,4m	33m <sup>2</sup>



2



14h00



0.4m<sup>3</sup>



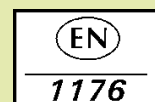
64.5m<sup>2</sup>



341kg



54kg



*Proludic*

2012-10-09