



6+



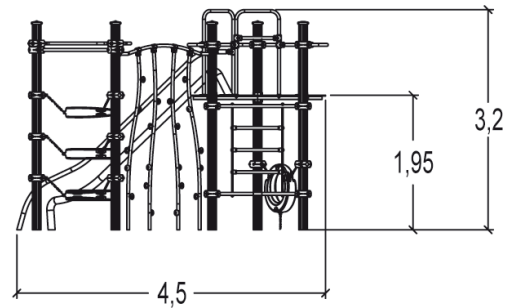
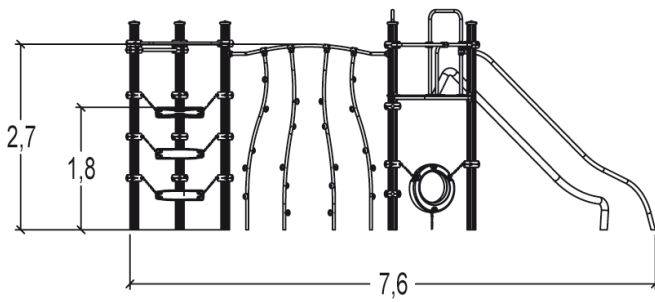
19



2,72m



1 = 7,69m 2 = 4,52m 3 = 3,19m



Play value : 9

climbing



x1

sliding



x1

meeting



x1

resting



x1

swinging



x1

balancing



x1

climbing

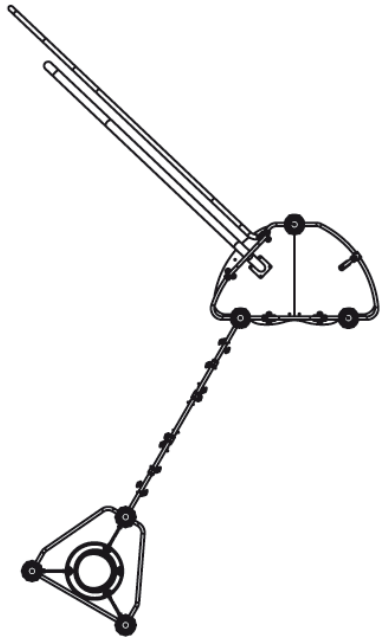


x2

getting across



x1

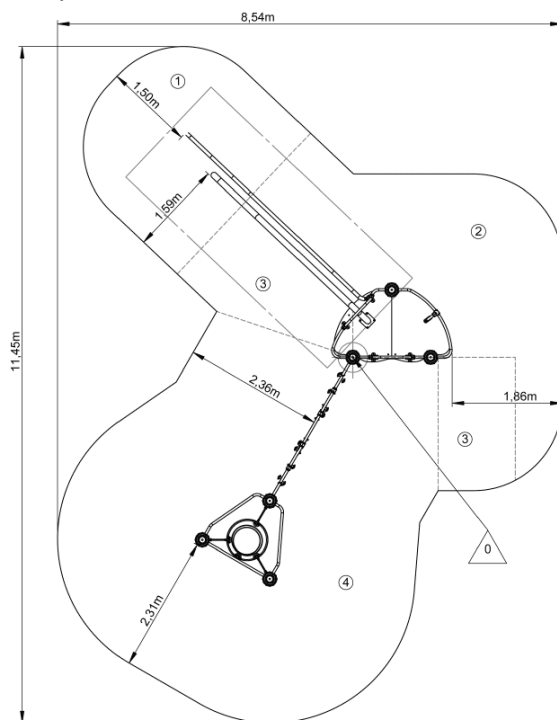


- ① Epsilon Tower
- ② Turbo Slide
- ③ Delta Straight ladder
- ④ Vertical buoy
- ⑤ Climbing buoy
- ⑥ Tubes wall

Installation of equipment

Impact area =

- Impact area
- Free space



1	0,6m	9m ²
2	1,95m	15m ²
3	2,3m	7m ²
4	2,72m	33m ²



2



07h00



0.8m³



64m²



482kg



50kg



Proludic

0000-00-00