



6+



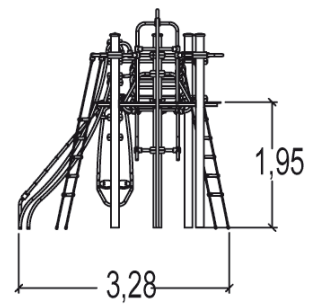
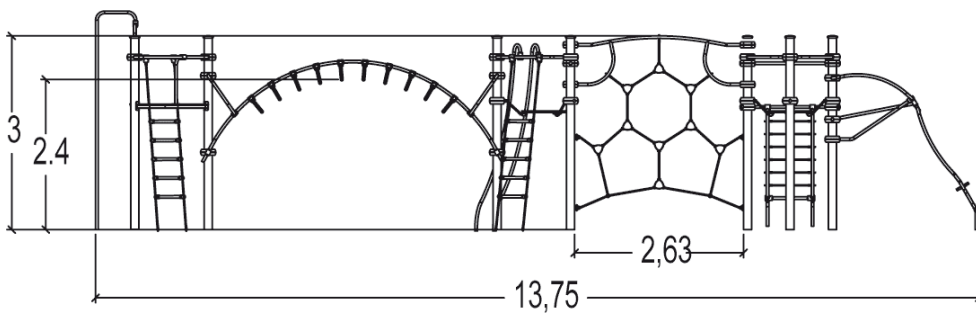
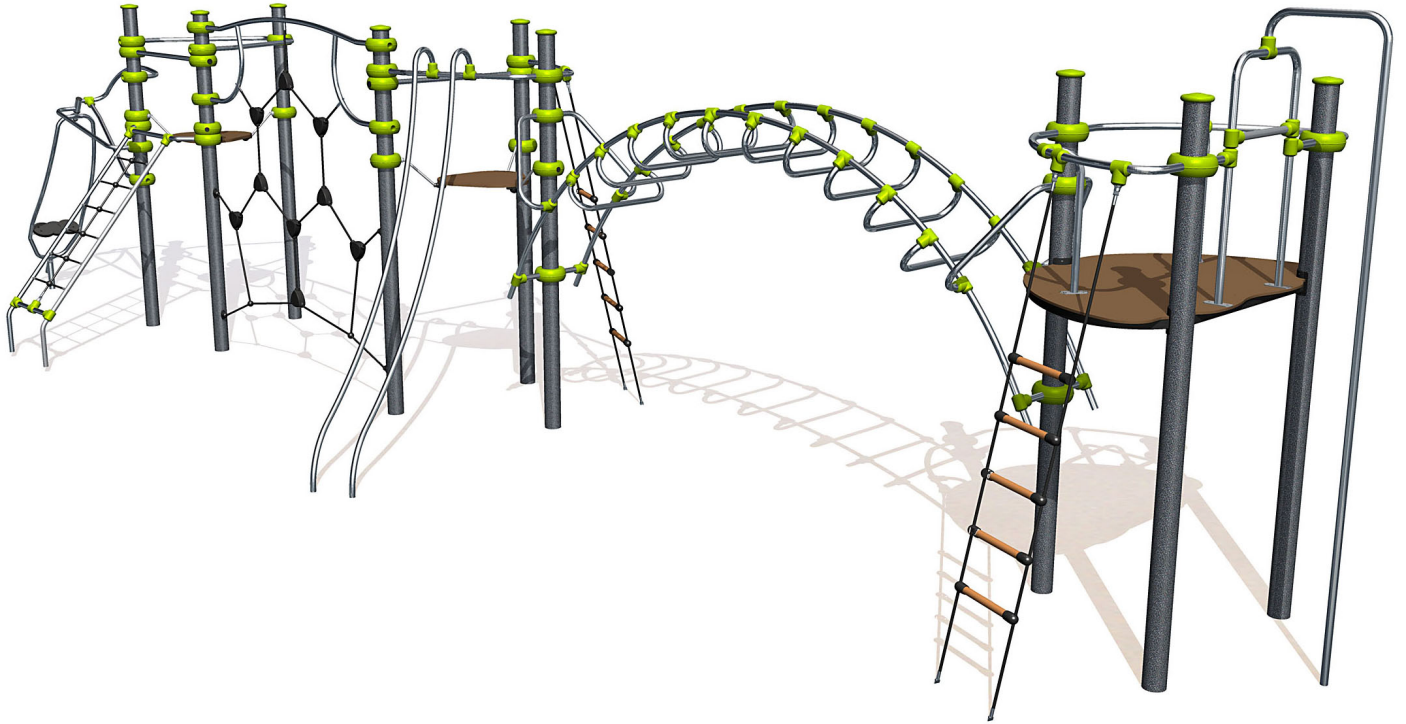
28



3m



1 = 13,82m 2 = 3,2m 3 = 3,4m



Play value : 13

sliding



x2

meeting



x2

hanging



x1

balancing



x1

rotating



x1

climbing

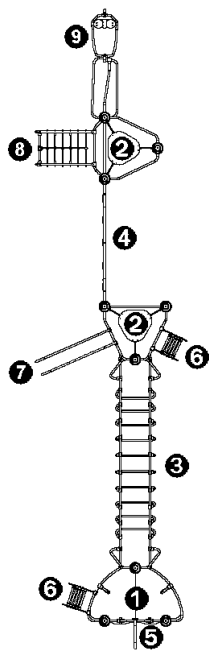


x4

getting across



x2

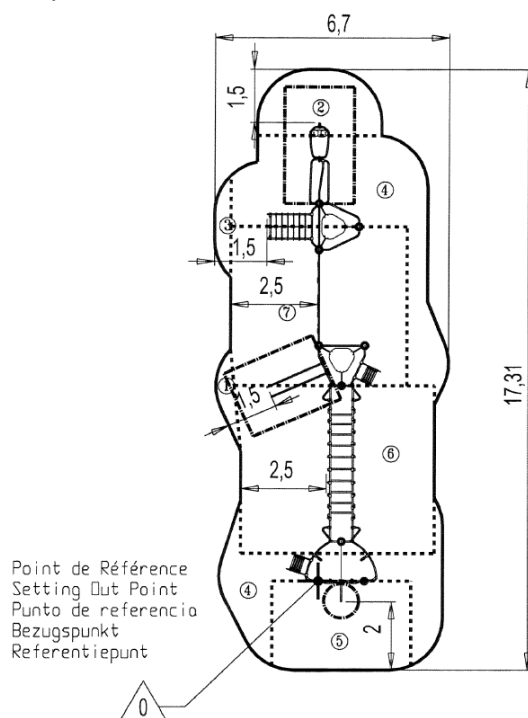


- ① Tour Gamma
- ② Tour Delta
- ③ Great arch
- ④ Net IXO
- ⑤ Fireman's pole
- ⑥ Rope ladder
- ⑦ Speed slide
- ⑧ Delta Incline net
- ⑨ Gyro

Installation of equipment

Impact area =

- Impact area
- Free space



1	0,6m	1m ²
2	0,7m	6m ²
3	1m	1m ²
4	1,95m	27,5m ²
5	2,2m	10,5m ²
6	2,4m	27m ²
7	3m	23m ²



2



24h00



1.4m³



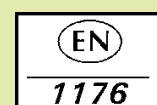
96m²



661kg



54kg



Proludic

2012-10-09