



6+



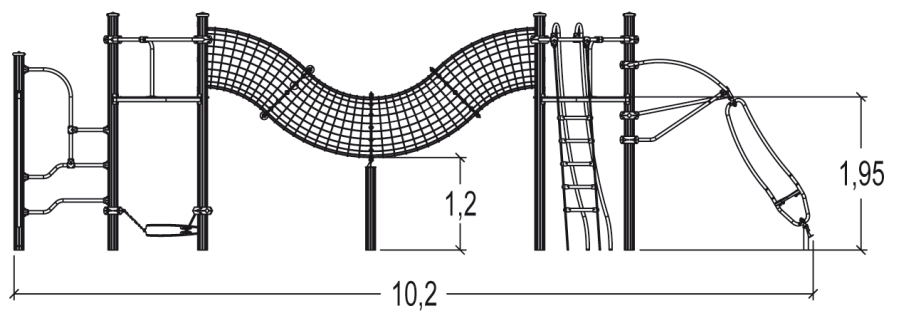
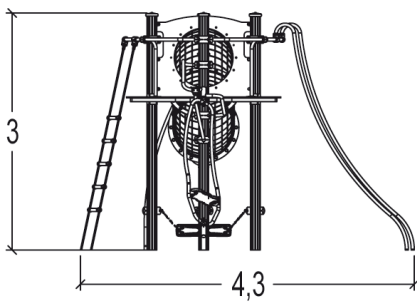
24



1,95m



1 = 9,98m 2 = 4,26m 3 = 3,03m



Play value : 11

sliding



x2

meeting



x1

resting



x1

crawling



x1

swinging



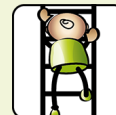
x1

rotating



x1

climbing

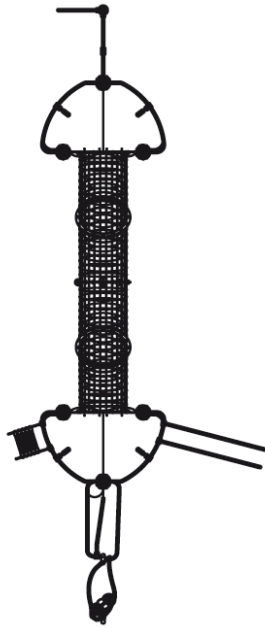


x2

getting across



x2

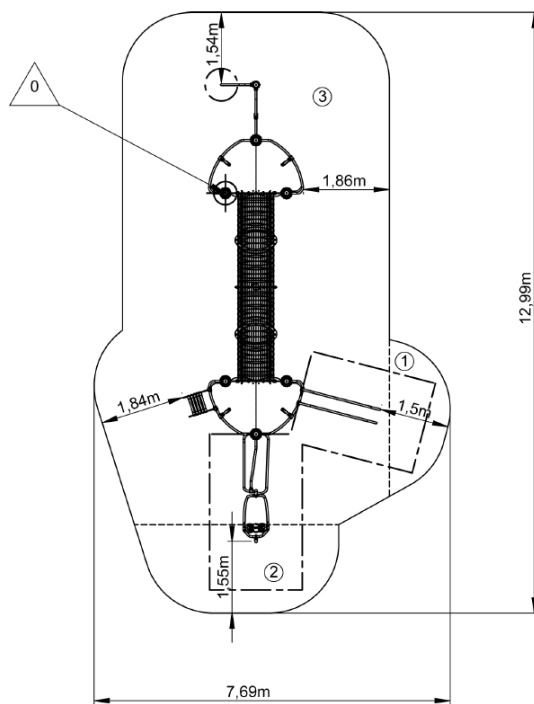




- ① Gyro
- ② Rope ladder
- ③ Speed slide
- ④ Tour gamma sans porte
- ⑤ Interconnection
- ⑥ Horizontal buoy
- ⑦ Net tunnel

Installation of equipment

Impact area =

-  Impact area
-  Free space



		
1	0,6m	3,5m ²
2	0,7m	7m ²
3	1,95m	63,5m ²



2



07h00



1m³



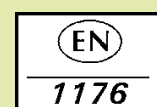
74m²



648kg



35kg



Proludic

0000-00-00