



6+



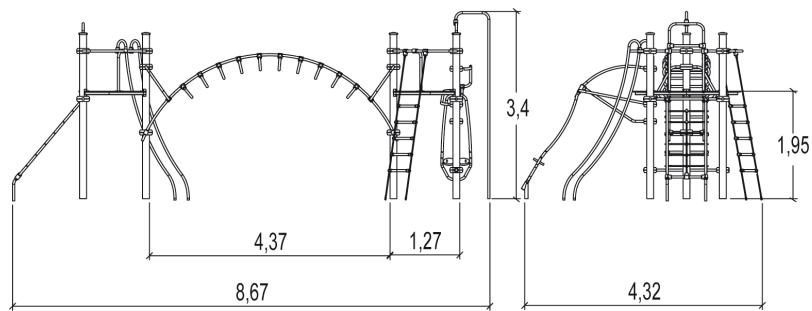
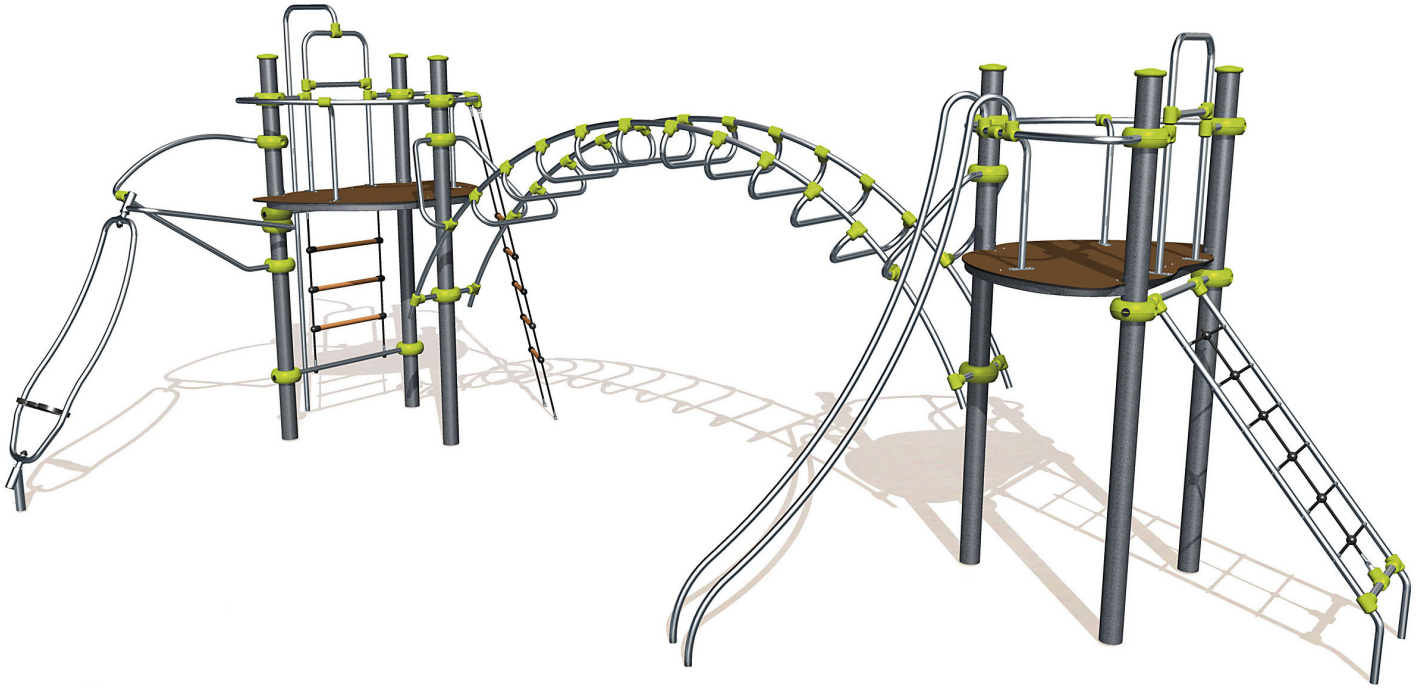
19



2,4m



1 = 8,67m 2 = 4,38m 3 = 3,4m



Play value : 10

sliding



x2

meeting



x1

hanging



x1

rotating



x1

climbing

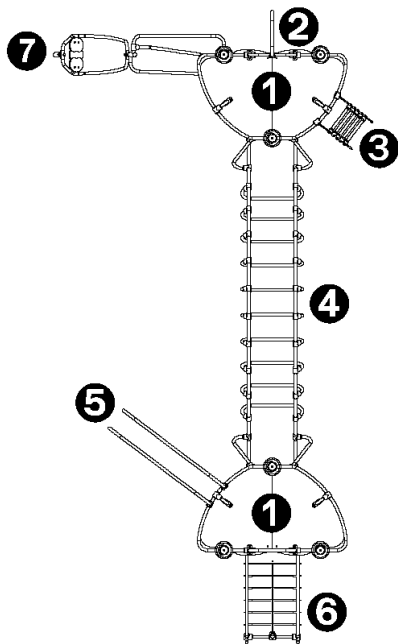


x4

getting across



x1

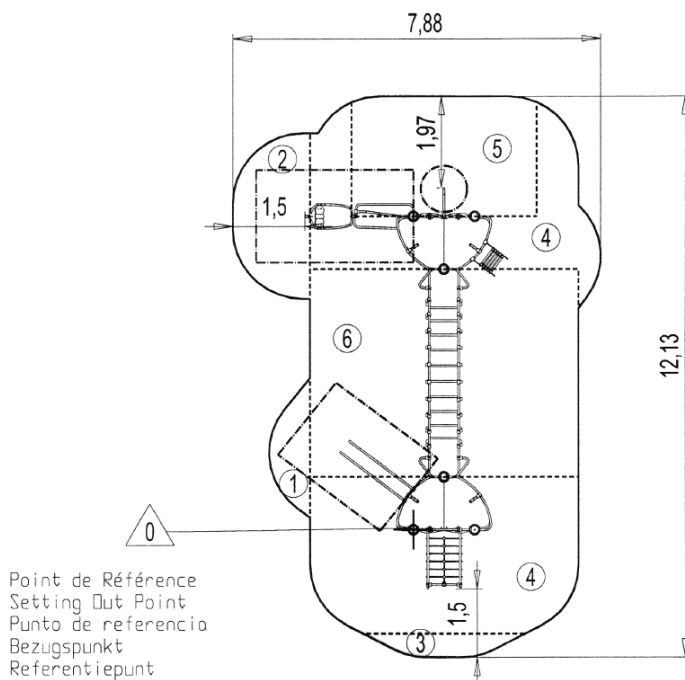


- 1 Tour Gamma
- 2 Fireman's pole
- 3 Rope ladder
- 4 Great arch
- 5 Speed slide
- 6 Incline net
- 7 Gyro
- 8 Echelle droite delta

## Installation of equipment

Impact area =

- Impact area
- Free space



1	0,6m	2m <sup>2</sup>
2	0,7m	5m <sup>2</sup>
3	1m	1,5m <sup>2</sup>
4	1,95m	30m <sup>2</sup>
5	2,2m	10,5m <sup>2</sup>
6	2,4m	26m <sup>2</sup>



2



22h00



0.7m<sup>3</sup>



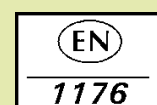
75m<sup>2</sup>



563kg



54kg



*Proludic*

2012-10-09