



6+



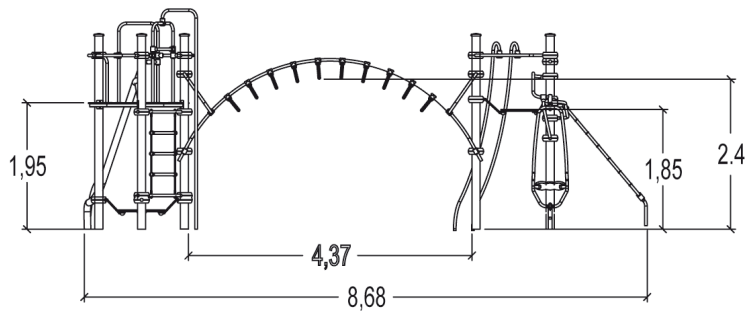
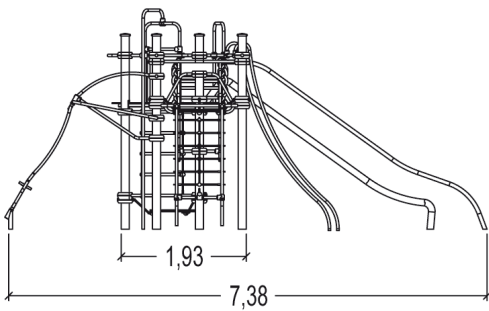
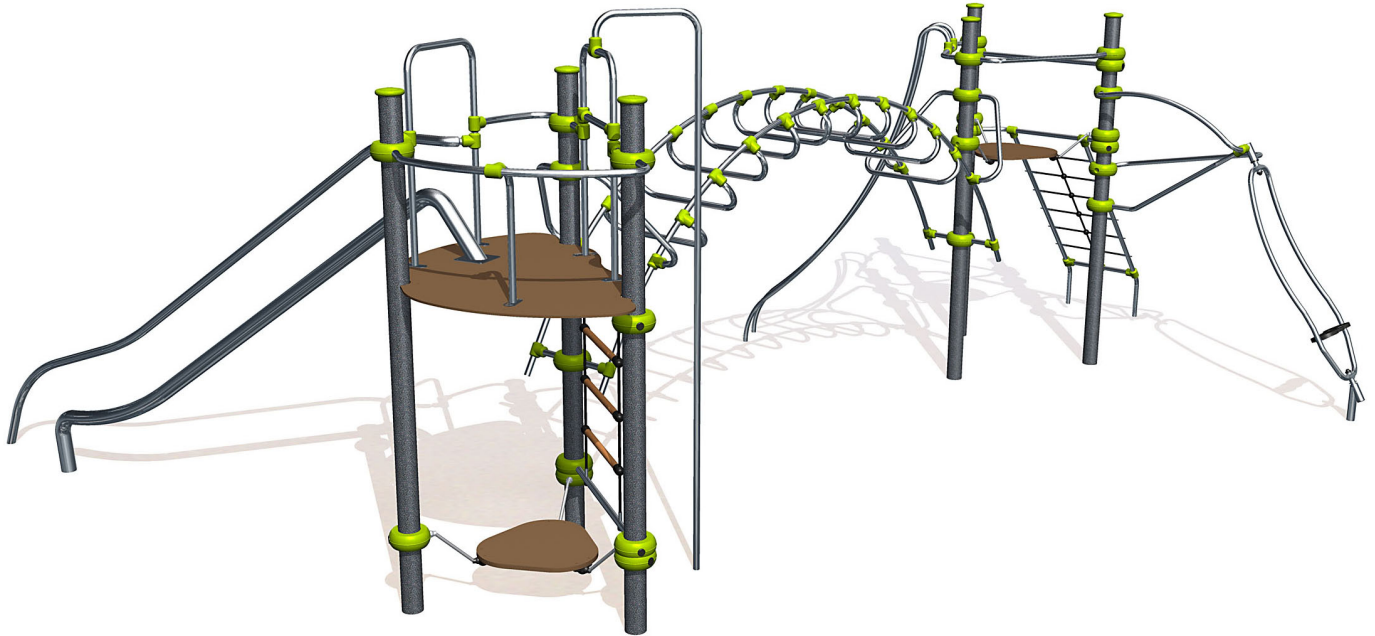
22



2,4m



1 = 8,69m 2 = 7,39m 3 = 3,4m



Play value : 13

sliding



x3

meeting



x2

hanging



x1

balancing



x2

rotating



x1

climbing

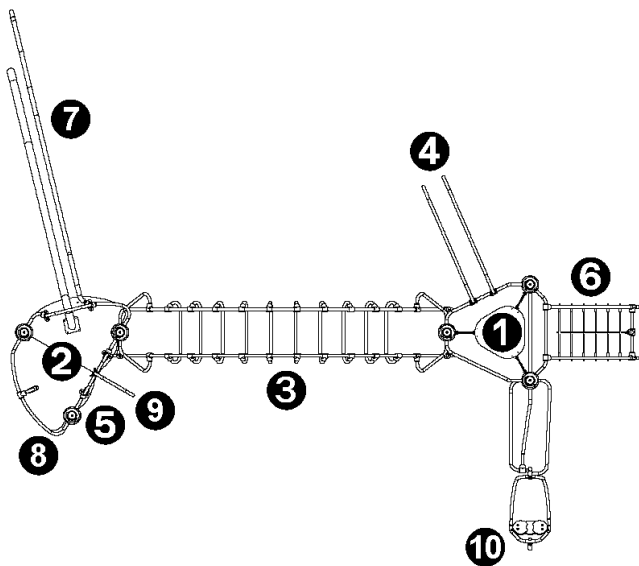


x3

getting across



x1

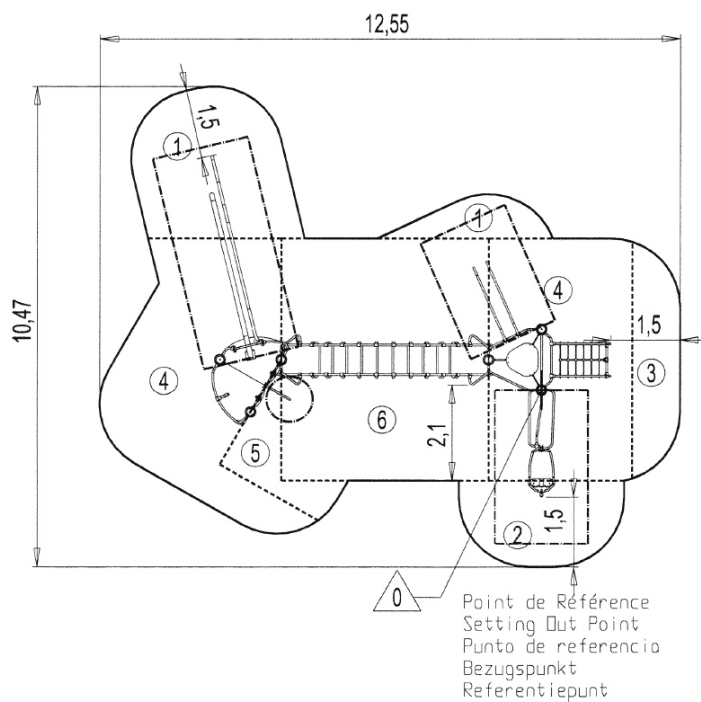


- 1 Tour Delta
- 2 Tour Epsilon
- 3 Great arch
- 4 Turbo Slide
- 5 Echelle droite delta
- 6 Delta Incline net
- 7 Speed slide
- 8 Suspended platform
- 9 Fireman's pole
- 10 Gyro

Installation of equipment

Impact area =

- Impact area
- Free space



1	0,6m	12,5m ²
2	0,7m	6m ²
3	1m	5m ²
4	1,95m	34m ²
5	2,2m	3m ²
6	2,4m	24m ²



2



20h00



0.6m³



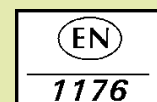
84.5m²



587kg



54kg



Proludic

2012-10-09