



6+



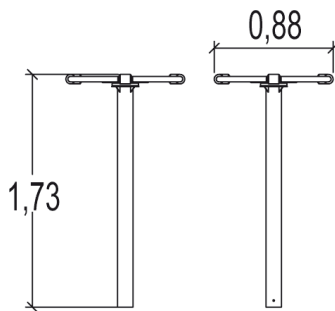
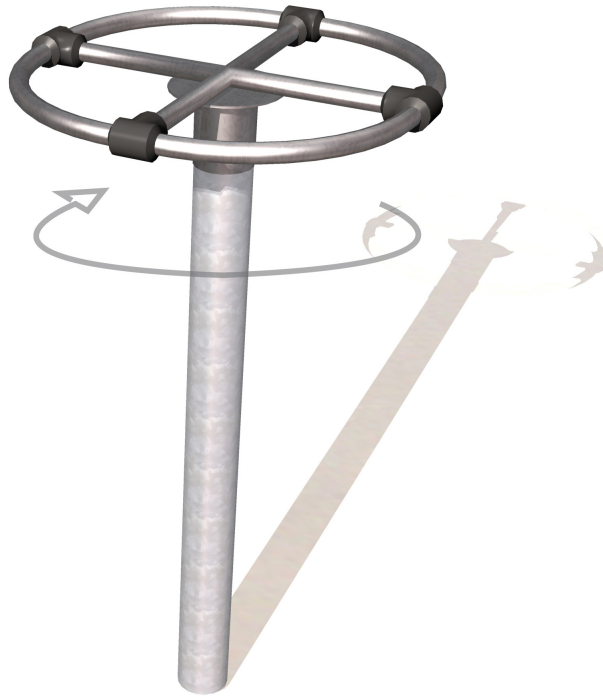
8



1,7m



1 = 0,87m 2 = 0,87m 3 = 1,6m



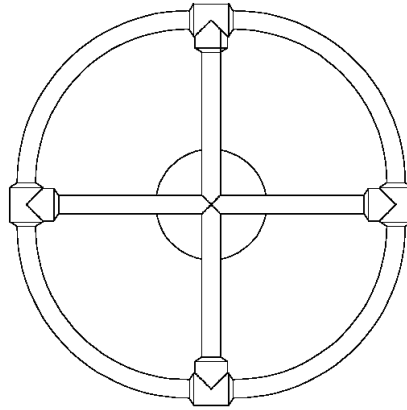
Play value : 2

rotating



meeting / role play

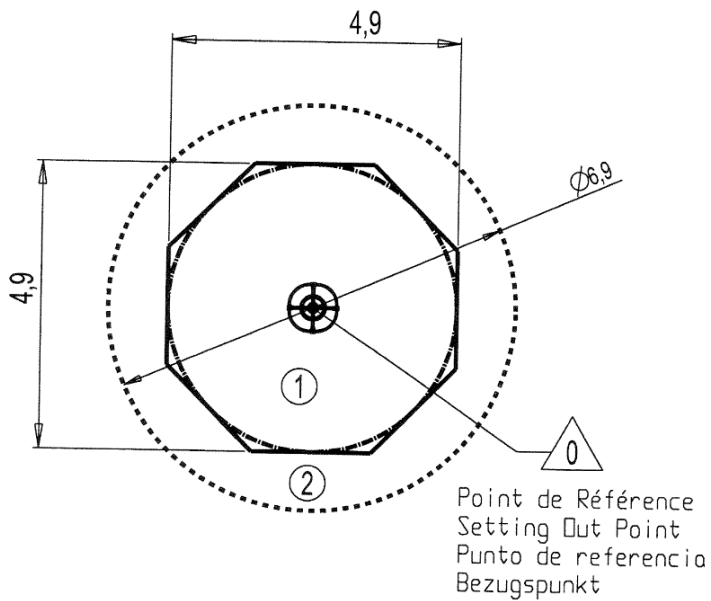






Installation of equipment

Impact area =

-  Impact area
-  Free space



		
1	1,7m	20m ²



2



02h15



0.3m³



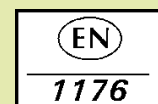
20m²



57kg



25kg



Proludic

2007-01-01