



5+



55



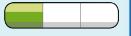
2,1m



1 = 17m 2 = 12,6m 3 = 6,8m



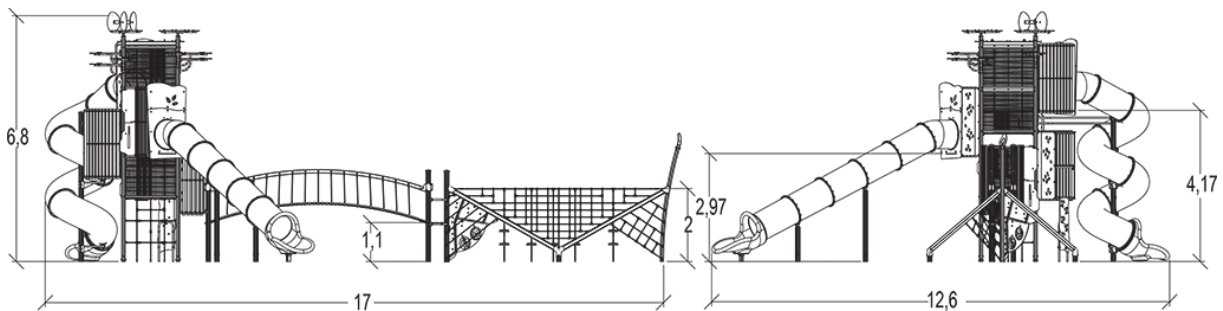
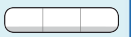
Motor disability



Sensorial disabilities



Learning disabilities



Play value : 24

climbing



x2

role play



x1

sliding



x2

meeting



x3

resting



x2

handling



x1

hiding



x2

taking shelter



x1

sound stimulation



x1

visual stimulation



x1

climbing

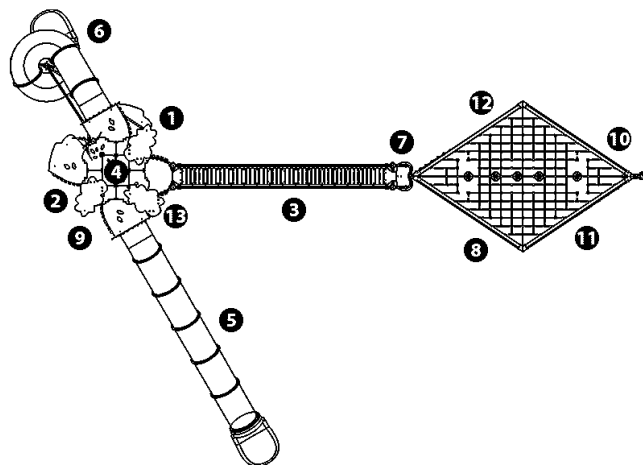


x5

getting across



x3

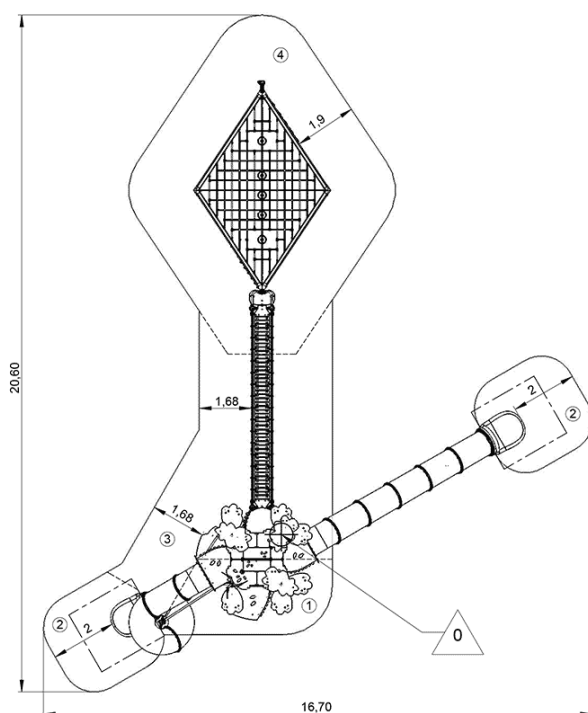


- ❶ Play porthole
- ❷ Climbing wall
- ❸ Big Walkway
- ❹ Tower 6m / 4 platforms + 1 specific
- ❺ Polyethylene slide Ht : 2.97m
- ❻ Polyethylene slide Ht : 4.17m
- ❼ Platform Ht : 1m
- ❽ Open Net
- ❾ Climbing wall
- ❿ Small net
- ⓫ Climbing rope
- ⓬ Suspended seat
- ⓭ Acoustic play pannel

## Installation of equipment

Impact area =

- Impact area
- Free space



1	0,6m	10m <sup>2</sup>
2	1m	18,5m <sup>2</sup>
3	1,77m	34m <sup>2</sup>
4	2,1m	54m <sup>2</sup>



3



45h00



2m<sup>3</sup>



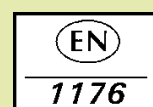
116.5m<sup>2</sup>



3220kg



124kg



*Proludic*

0000-00-00