



5+



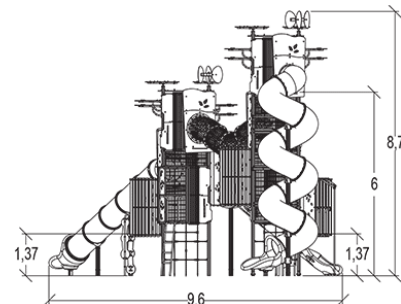
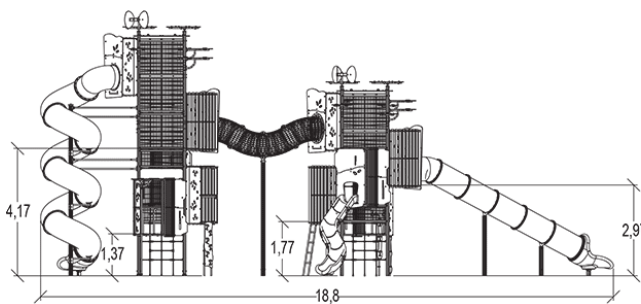
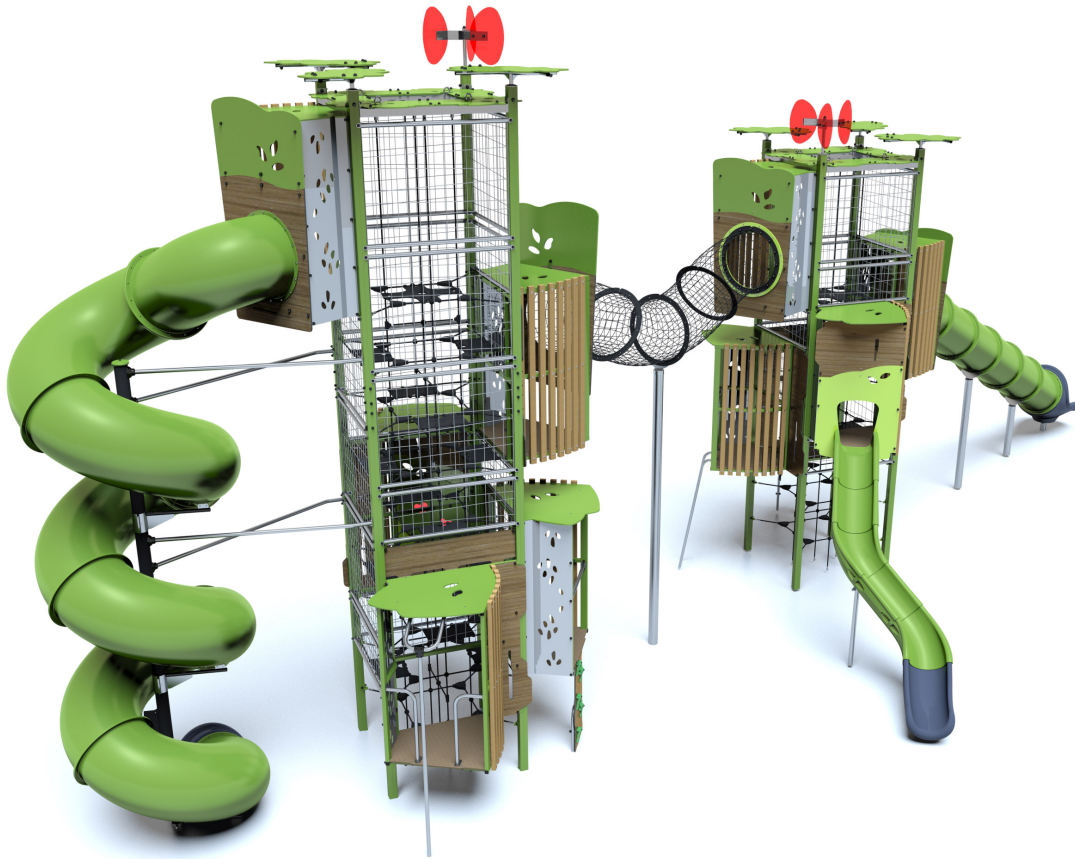
54



2,37m



1 = 18,79m 2 = 9,63m 3 = 8,66m



Play value :

25

climbing



x2

role play



x2

sliding



x4

meeting



x2

resting



x2

crawling



x1

hiding



x2

balancing



x3

taking shelter



x2

visual stimulation



x1

climbing

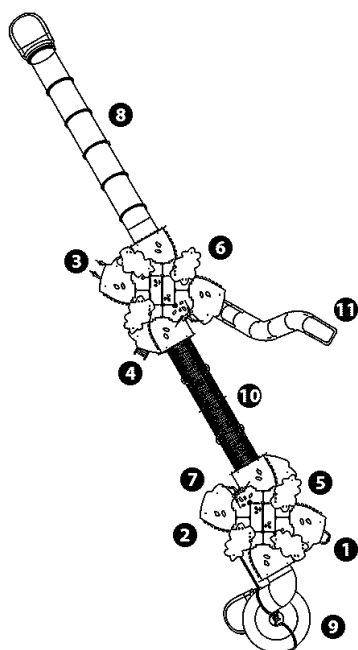


x3

getting across



x1

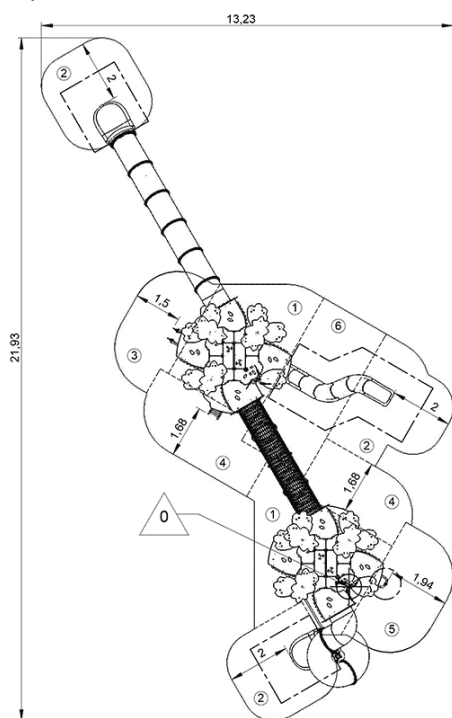


- ① Fireman's pole
- ② Butterfly play panel
- ③ Climbing ladder
- ④ Ladder Ht: 1.77m
- ⑤ Climbing wall
- ⑥ Tower 6m / 5 platforms
- ⑦ Tower 8m / 5 platforms
- ⑧ Polyethylene slide Ht : 2.97m
- ⑨ Polyethylene slide Ht : 5.97m
- ⑩ Rigid wire tunnel H: 4.17m
- ⑪ Slide Ht : 2.37m

Installation of equipment

Impact area =

- Impact area
- Free space



1	0,6m	28,5m ²
2	1m	28m ²
3	1,37m	7,5m ²
4	1,77m	15,5m ²
5	2,16m	9m ²
6	2,37m	12,5m ²



3



55h00



2.5m³



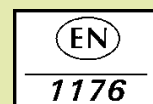
101m²



4764kg



72kg



Proludic

0000-00-00