

Articolo /item

Codice / Code

RANGE GRETA

Finitura /Finishing

GALVANIZED AND POWDER COATED



Bench with an essential line, consisting of a steel structure and wooden seating and backrest.

The two legs made in round tube $\varnothing 60$ mm are supplied with an extension to be concreted in or, as alternative, with drilled base plates for the anchoring of the bench to the ground with bolts.

Seating and backrest are made of 5 slats sect.100x45 mm in boiler-pressure impregnated Nordic pinewood (in accordance with legislation DIN 68800-3 to preserve it from the formation of fungi, moulds, bacteria and avoid splintering). Upon request, Royal treated Nordic Pinewood or hardwood can replace boiler-pressure pinewood.

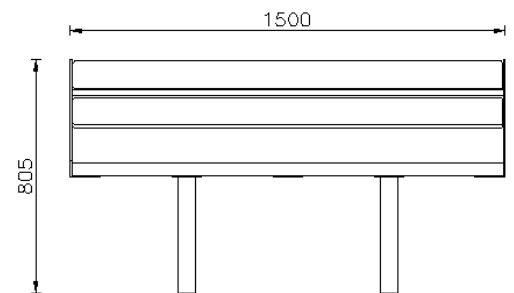
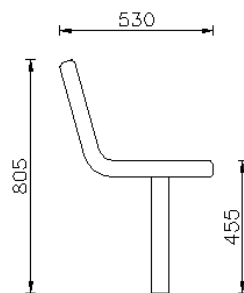
Timber slats are fixed to the metal structure through stainless steel screws.

All metal parts are galvanized and powder coated according to RAL range of colours.

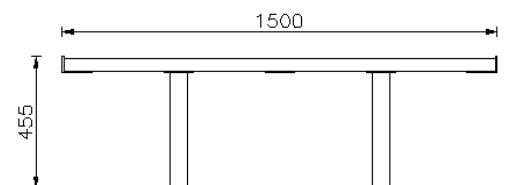
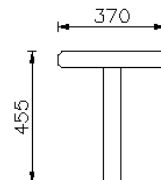
Line Greta offers various articles, such as benches with and without backrest and armrests, chairs, sunchairs, rectangular and round tables ...

TECHNICAL INFORMATION

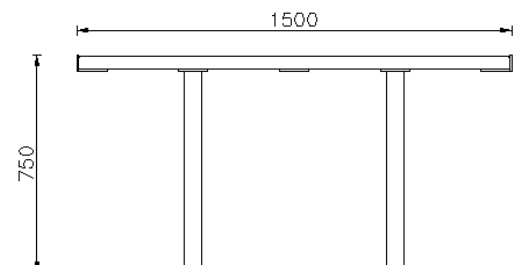
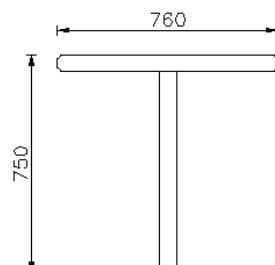
BENCH WITH BACKREST	
Dimensions	1500x530 mm
Height	805 mm



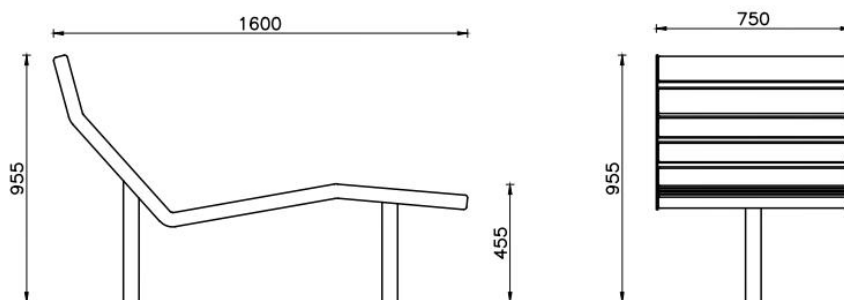
BENCH WITHOUT BACKREST	
Dimensions	1500x370 mm
Height	455 mm



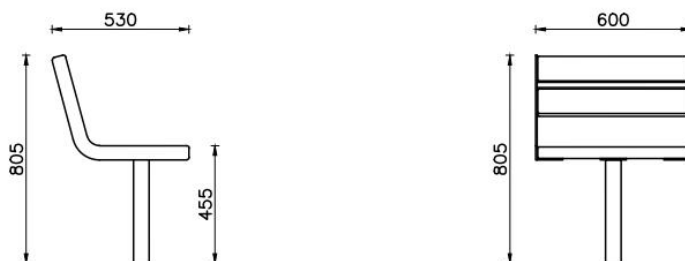
RECTANGULAR TABLE	
Dimensions	1500x760 mm
Height	750 mm



CHAISE LONGUE	
Dimensions	750x1600 mm
Height	955 mm



CHAIR	
Dimensions	600x530 mm
Height	805 mm



CHAIR WITH ARMRESTS	
Dimensions	600x530 mm
Height	805 mm

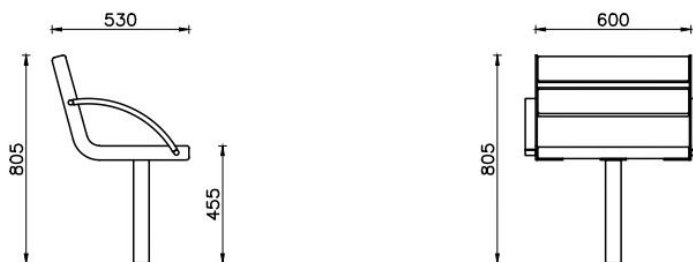


TABLE Ø750	
Dimensions	Ø750 mm
Height	750 mm

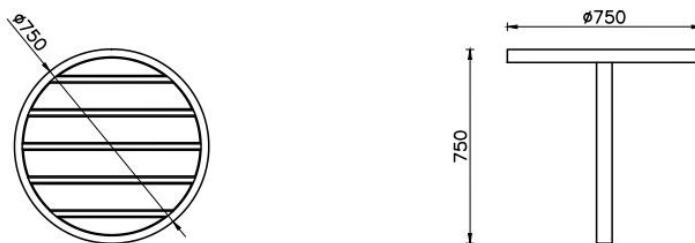
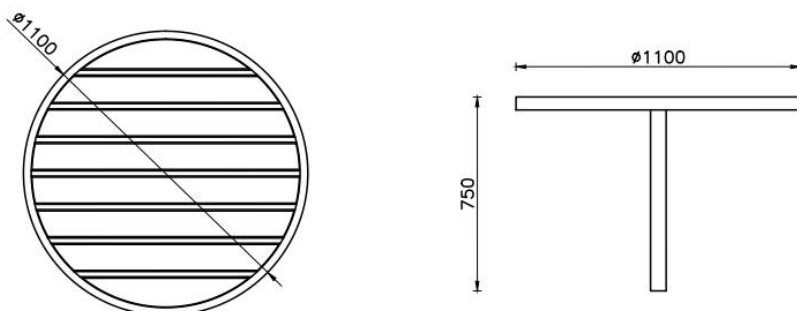


TABLE Ø1100	
Dimensions	Ø1100 mm
Height	750 mm



NOTE

Rev. 01-2020