



2+



1



0,6m



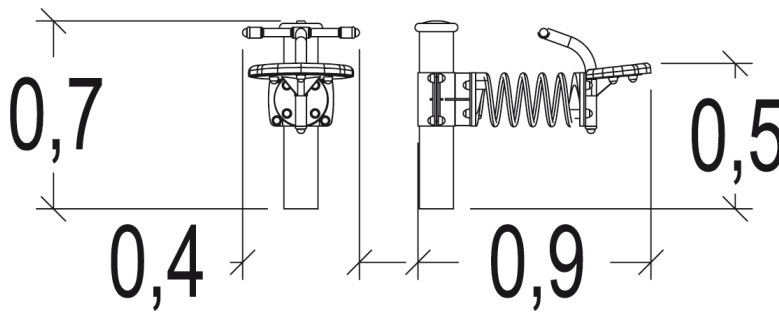
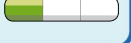
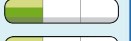
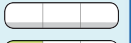
1 = 0,9m 2 = 0,4m 3 = 0,7m



Motor disability

Sensorial disabilities

Learning disabilities

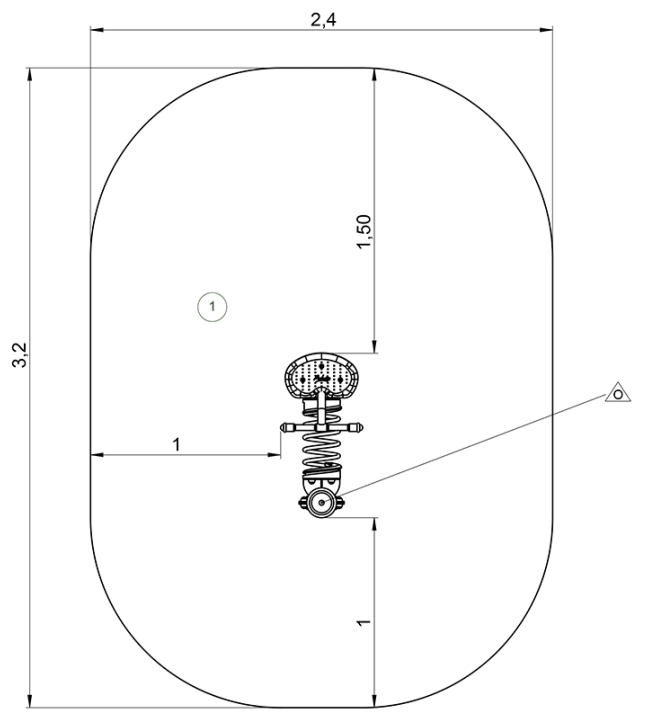












Installation of equipment

Impact area =

-  Impact area
-  Free space



		
1	0,6m	8m ²

					
1	01h00	0.1m ³	8m ²	31kg	22kg

