



2+



1



0,6m



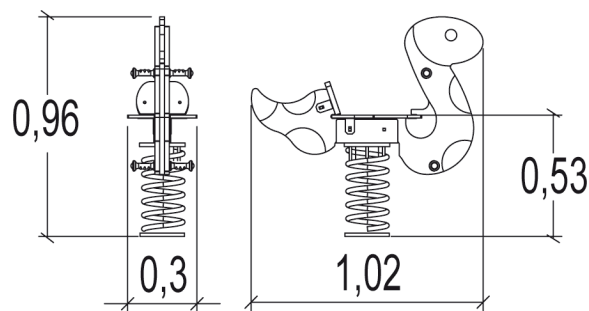
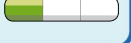
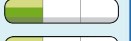
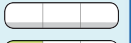
1 = 1,02m 2 = 0,3m 3 = 0,97m



Motor disability

Sensorial disabilities

Learning disabilities



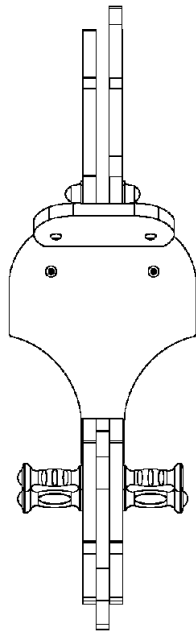
Play value : 2

swinging



balancing

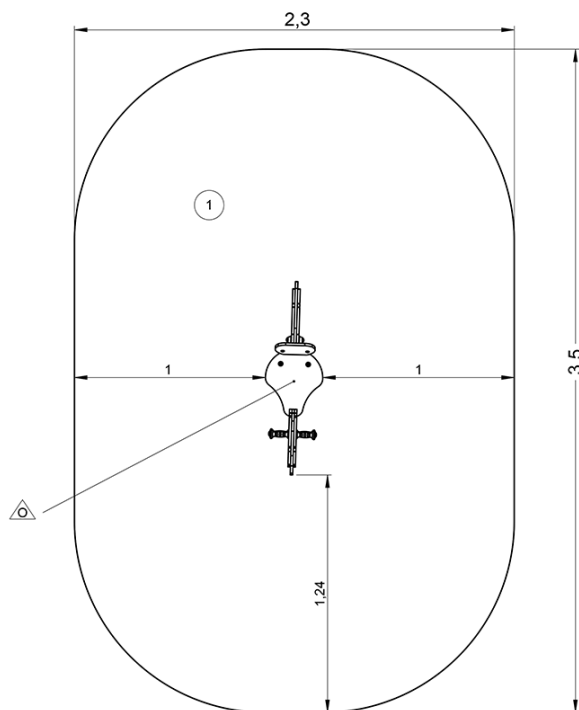






## Installation of equipment

Impact area =

 Impact area  
 Free space



		
1	0,6m	7m <sup>2</sup>



1



01h15



0m<sup>3</sup>



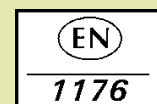
7m<sup>2</sup>



31kg



10kg



*Proludic*

2003-10-15