



2+



1



0,6m



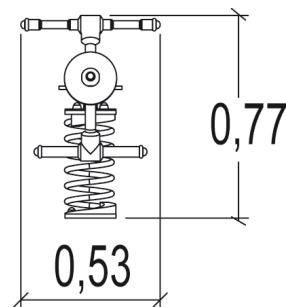
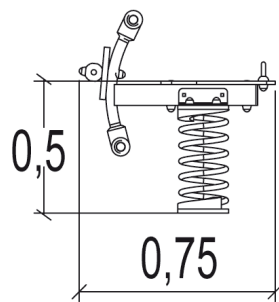
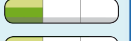
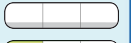
1 = 0,75m 2 = 0,53m 3 = 0,77m



Motor disability

Sensorial disabilities

Learning disabilities



Play value :

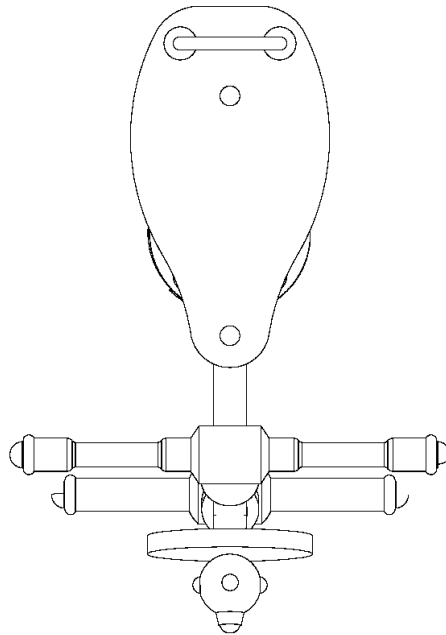
2

swinging



balancing

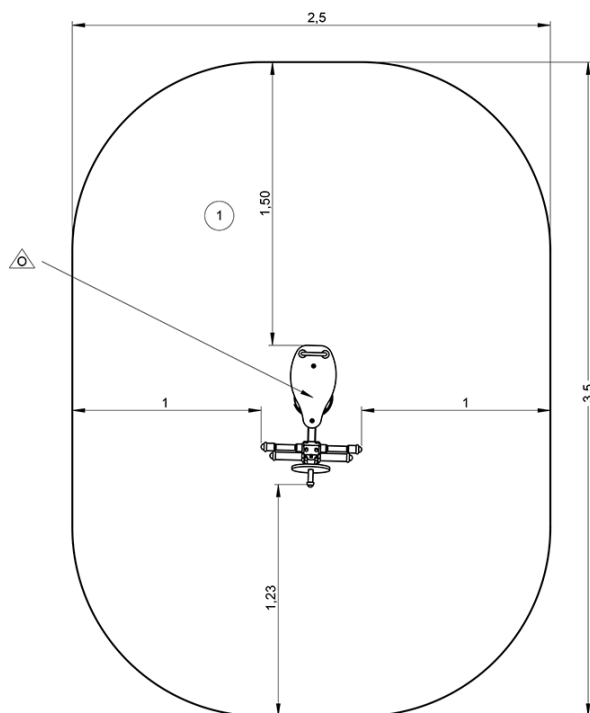






## Installation of equipment

Impact area =

-  Impact area
-  Free space



		
1	0,6m	8m <sup>2</sup>



1



01h00



0m<sup>3</sup>



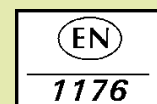
8m<sup>2</sup>



26kg



10kg



*Proludic*

2003-10-15