



2+



1



0,6m



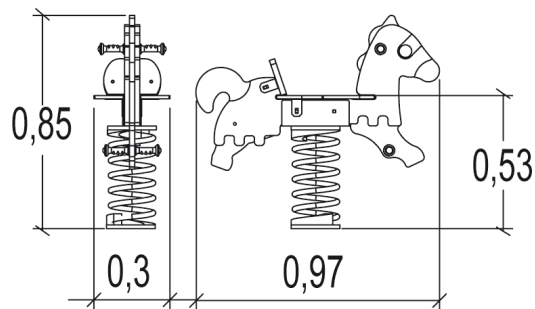
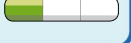
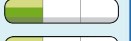
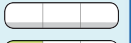
1 = 0,97m 2 = 0,3m 3 = 0,85m



Motor disability

Sensorial disabilities

Learning disabilities



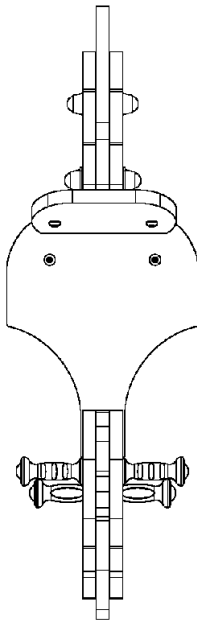
Play value : 2

swinging



balancing

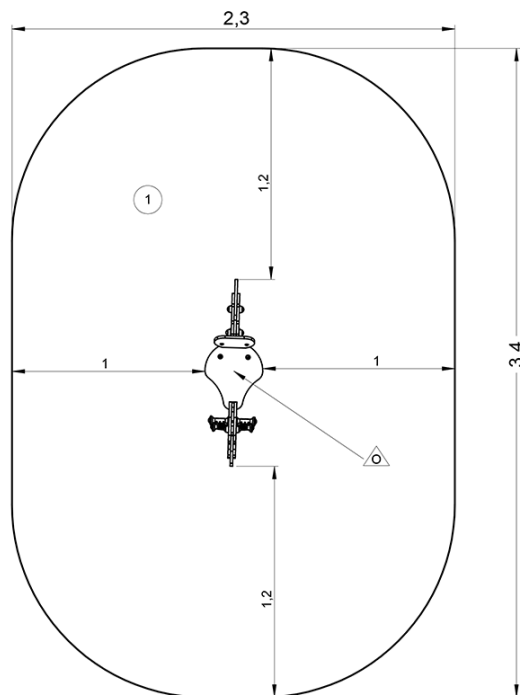






Installation of equipment

Impact area =

 Impact area
 Free space



		
1	0,6m	7m ²



1



01h15



0m³



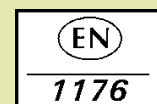
7m²



30kg



10kg



Proludic

2003-10-15