



2-10



2



0,6m



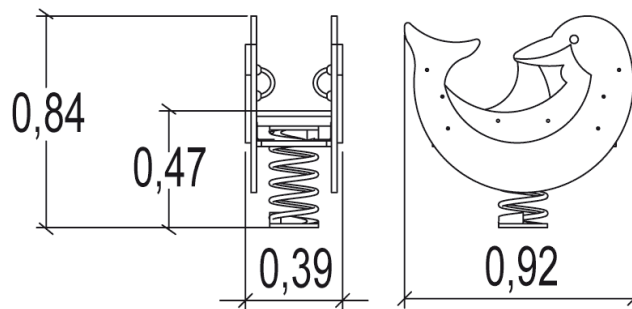
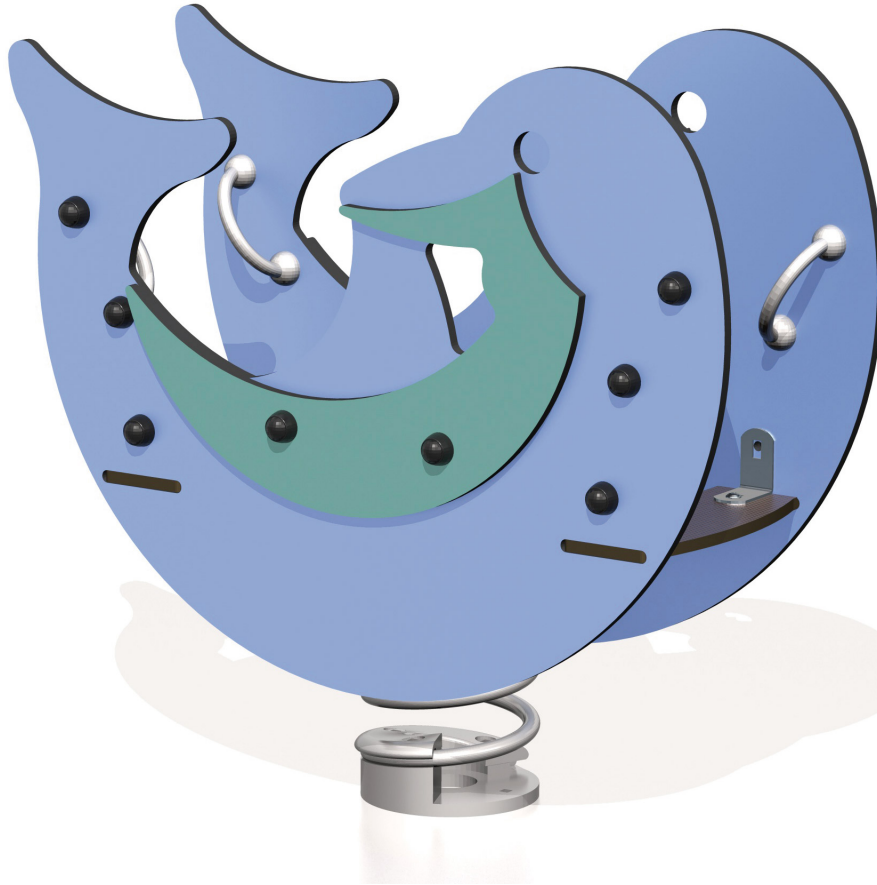
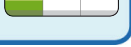
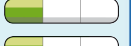
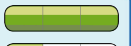
1 = 0,92m 2 = 0,39m 3 = 0,84m



Motor disability

Sensorial disabilities

Learning disabilities



Play value :

3

swinging

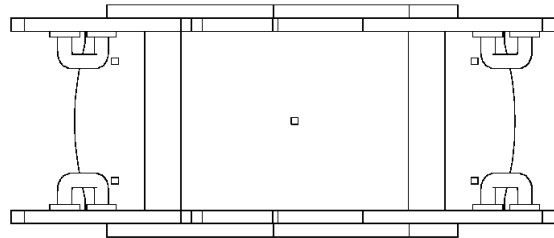


balancing



meeting

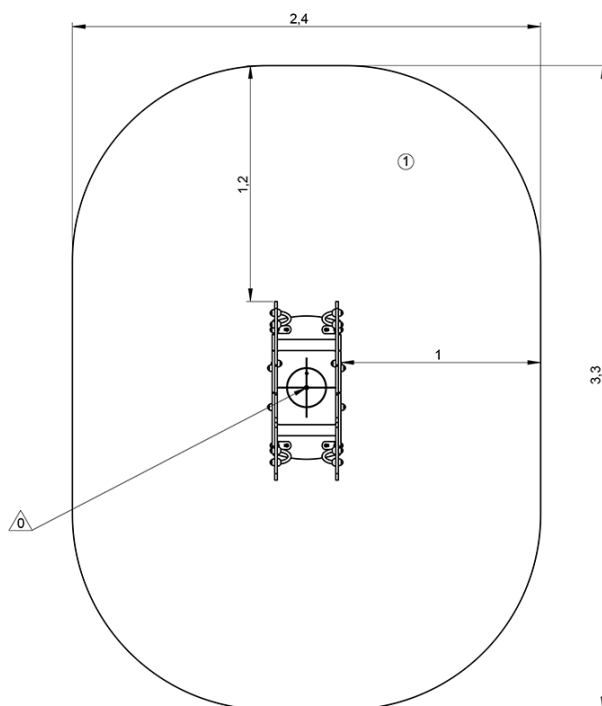






Installation of equipment

Impact area =

 Impact area
 Free space



		
1	0,6m	7m ²



1



01h15



0m³



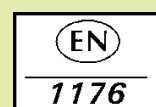
7m²



41kg



11kg



Proludic

2003-10-15