



2+



1



0,6m



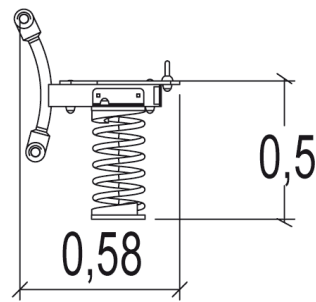
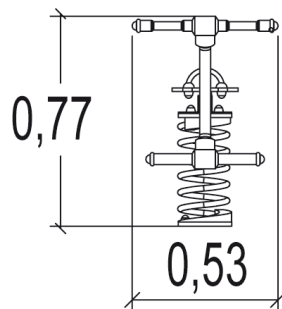
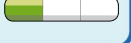
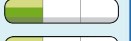
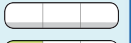
1 = 0,58m 2 = 0,53m 3 = 0,77m



Motor disability

Sensorial disabilities

Learning disabilities



Play value :

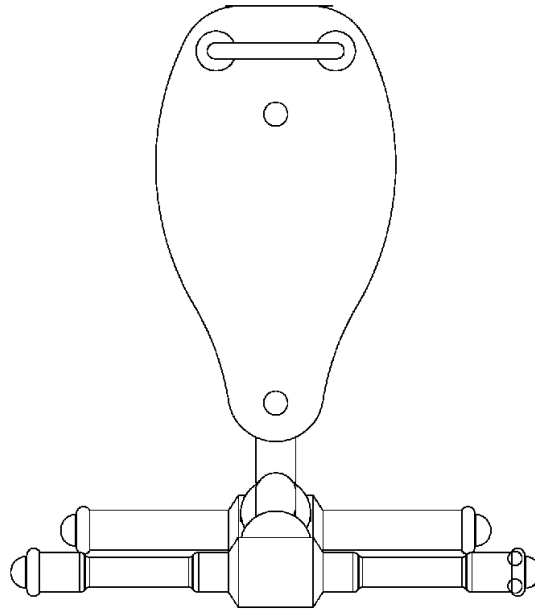
2

swinging



balancing

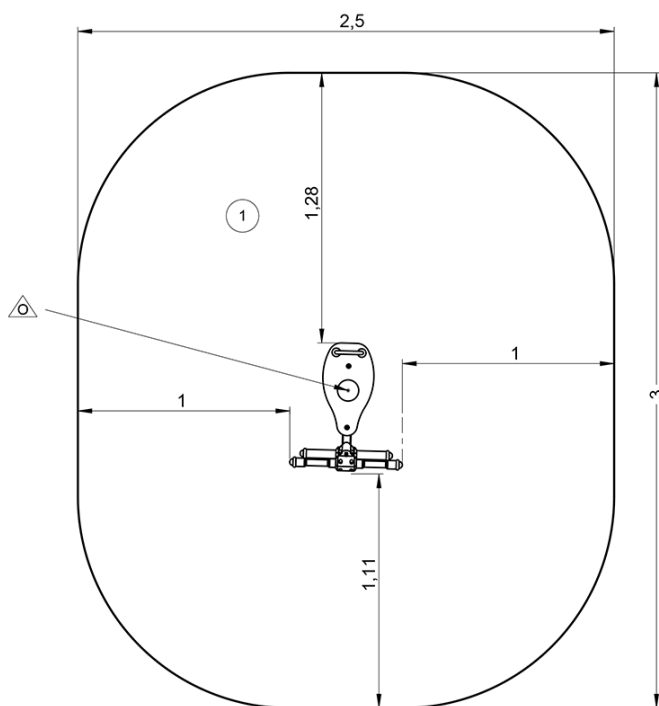






## Installation of equipment

Impact area =

 Impact area  
 Free space



		
1	0,6m	7,5m <sup>2</sup>



1



01h00



0m<sup>3</sup>



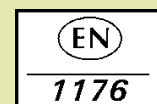
7.5m<sup>2</sup>



33kg



14kg



*Proludic*

2003-10-16