



2+



8



0,6m



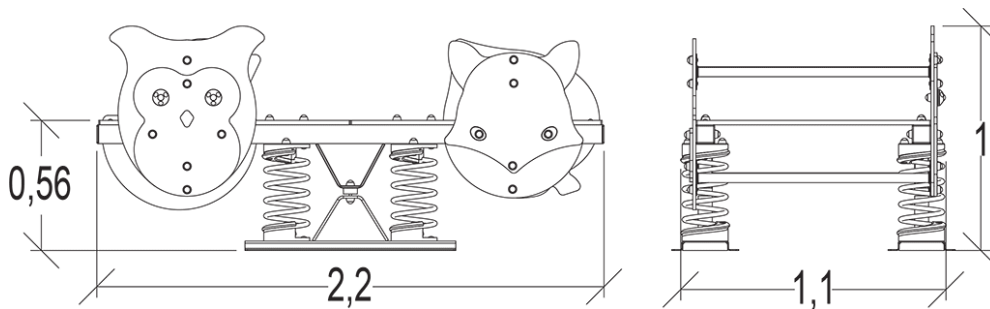
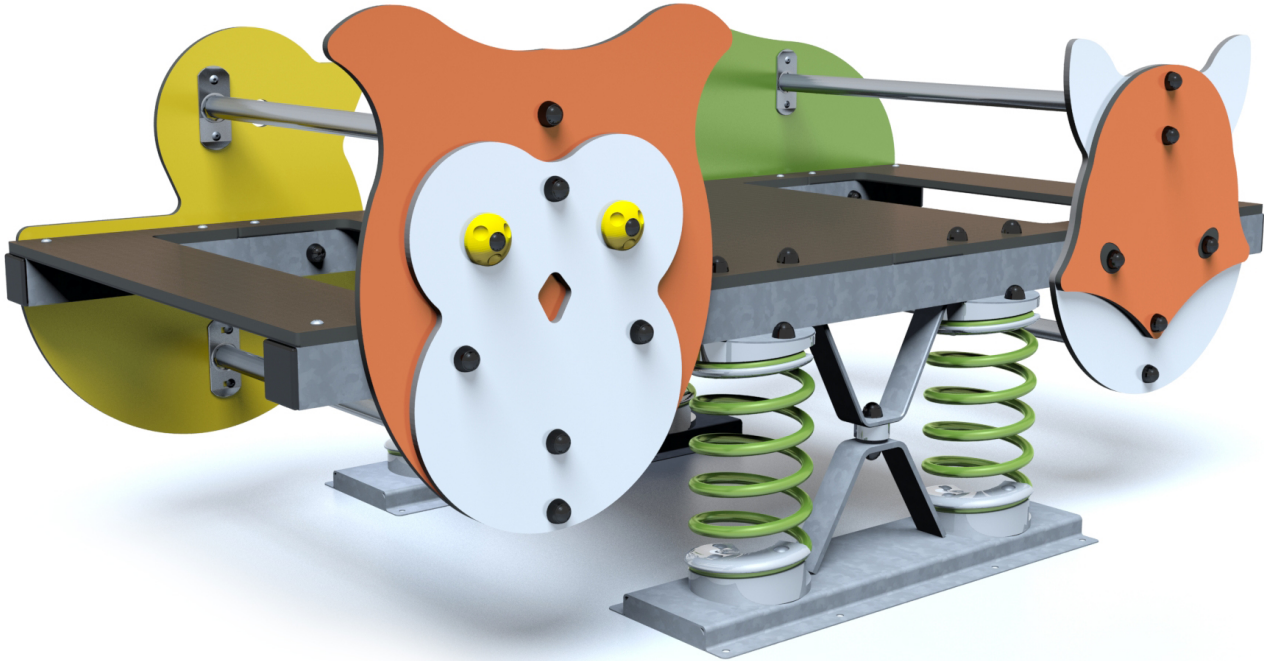
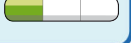
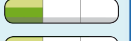
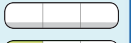
1 = 2,2m 2 = 1,1m 3 = 1m



Motor disability

Sensorial disabilities

Learning disabilities



Play value : 4

role play



x1

meeting



x1

swinging

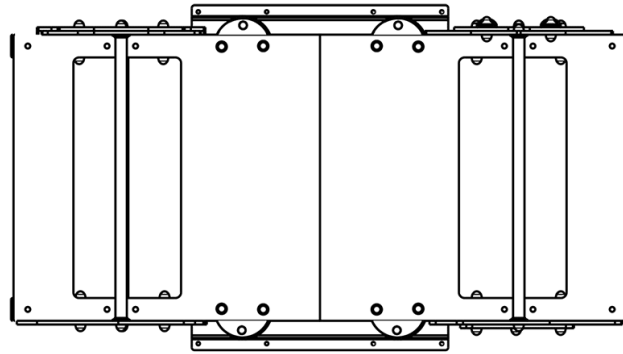


x1

balancing



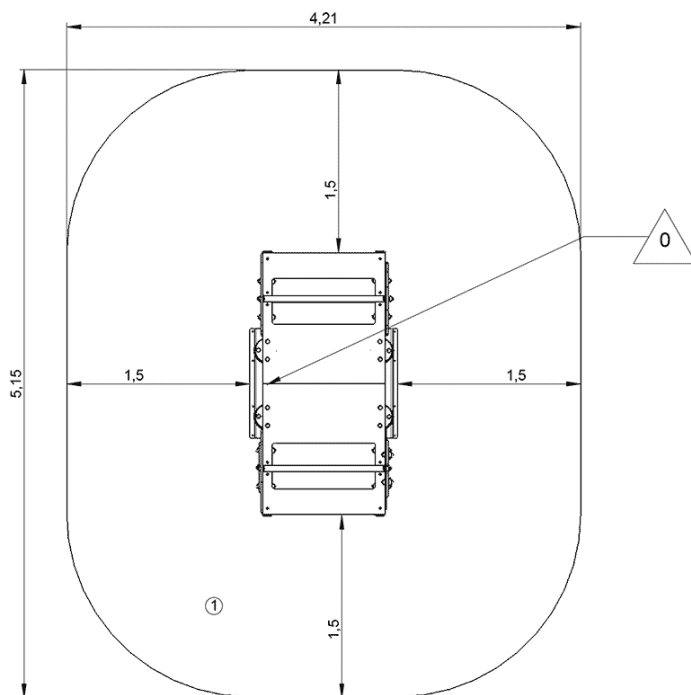
x1











Installation of equipment

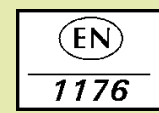
Impact area =

-  Impact area
-  Free space



		
1	0,6m	15m ²

					
2	04h00	0m ³	20m ²	193kg	39kg



0000-00-00