



2+



2



0,6m



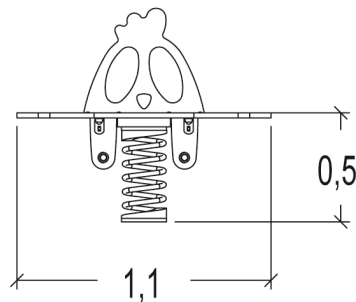
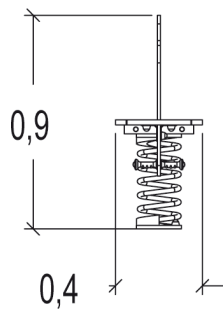
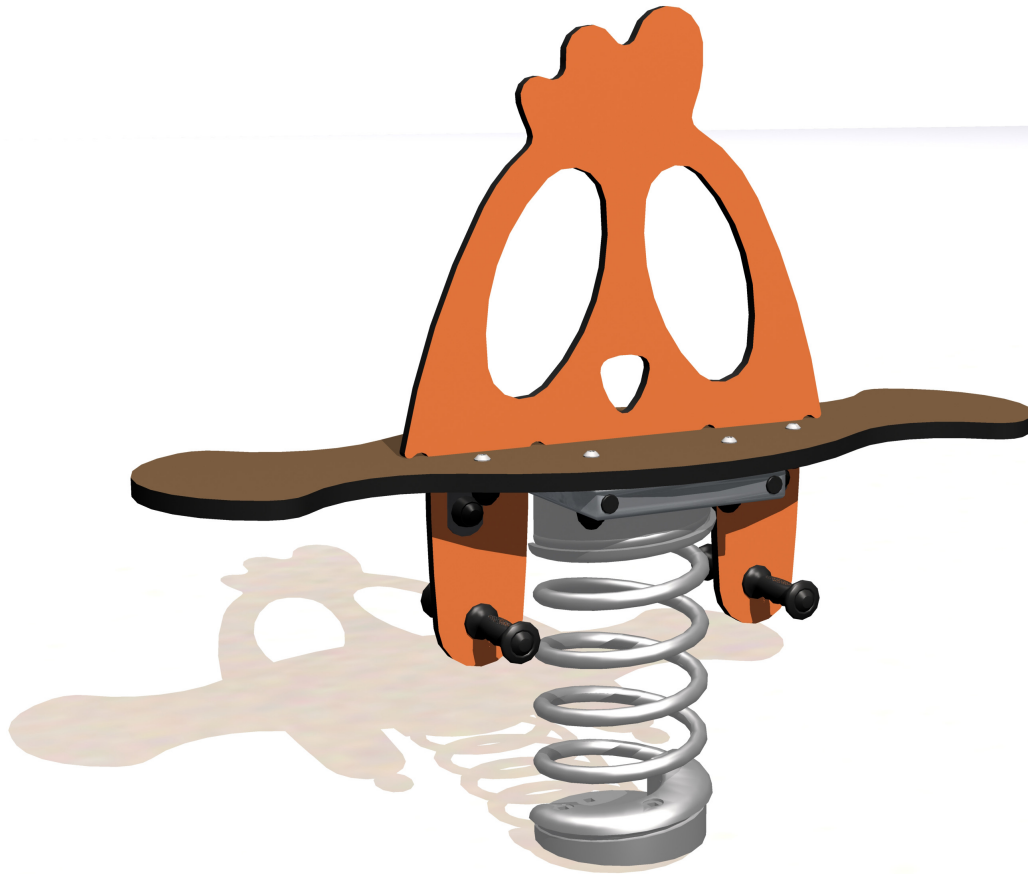
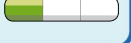
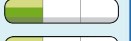
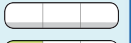
1 = 1,1m 2 = 0,4m 3 = 0,9m



Motor disability

Sensorial disabilities

Learning disabilities



Play value :

3

swinging

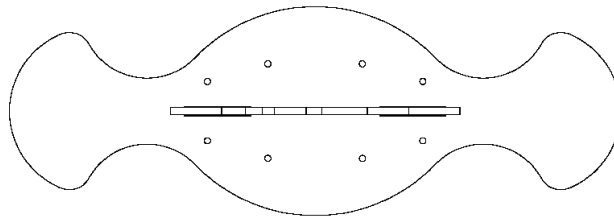


balancing



meeting / role play





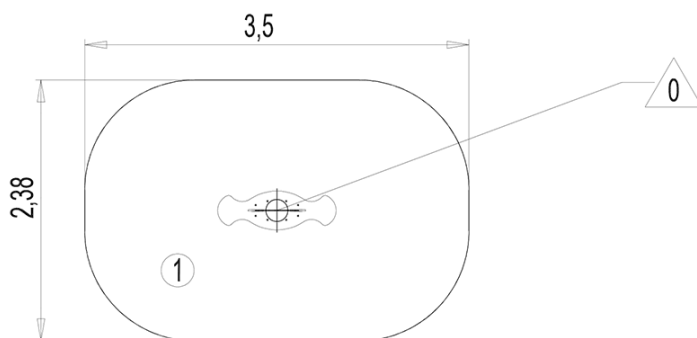


## Installation of equipment

Impact area =

-  Impact area
-  Free space

		
1	0,47m	7,5m <sup>2</sup>



1



01h00



0m<sup>3</sup>



7.5m<sup>2</sup>



29kg



11kg



*Proludic*

2012-11-07