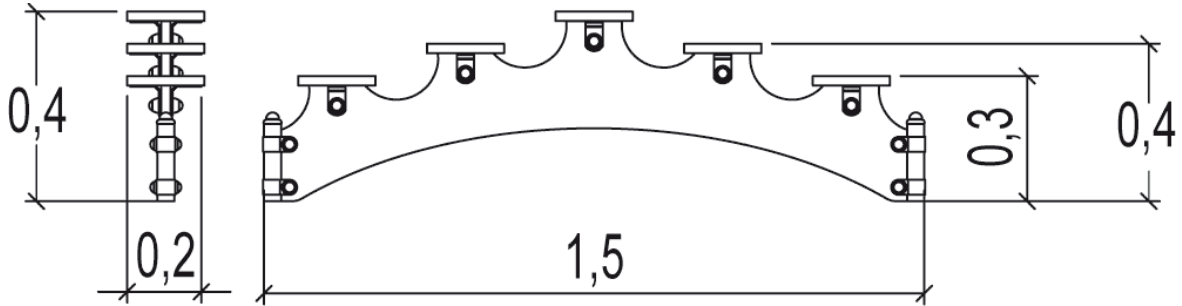
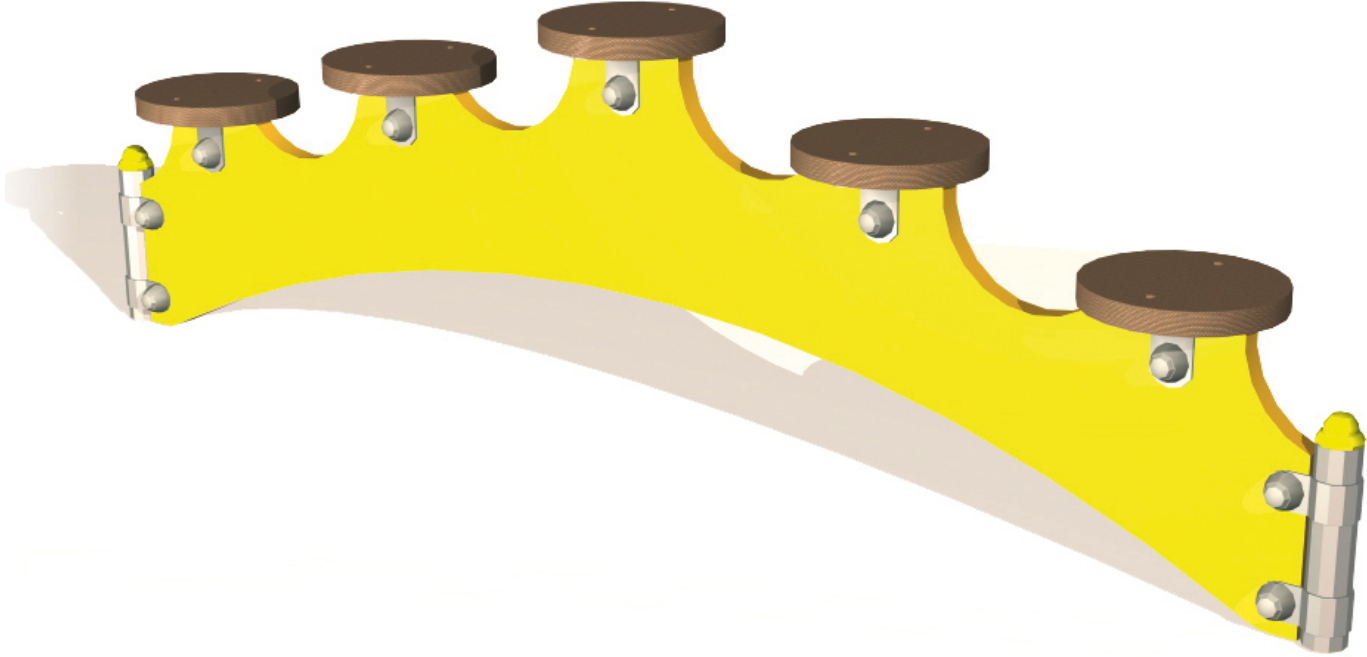


**2+** | **2** | **0,45m** | **1 = 1,5m 2 = 0,2m 3 = 0,4m**

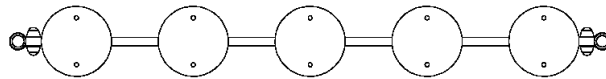
**Motor disability**   
**Sensorial disabilities**   
**Learning disabilities**



**Play value :** **1**

balancing

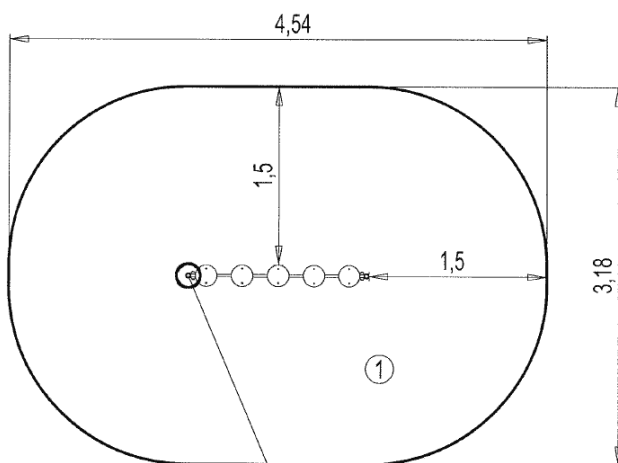


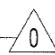




## Installation of equipment

Impact area =

 Impact area  
 Free space



 0  
 Point de Référence  
 Setting Out Point  
 Punto de referencia  
 Bezugspunkt

		
1	0,45m	13m <sup>2</sup>



1



00h45



0.06m<sup>3</sup>



13m<sup>2</sup>



12kg



4kg



*Proludic*

2007-01-01