



2+



2



0,3m



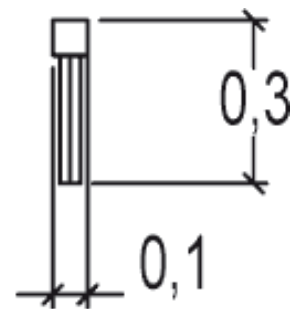
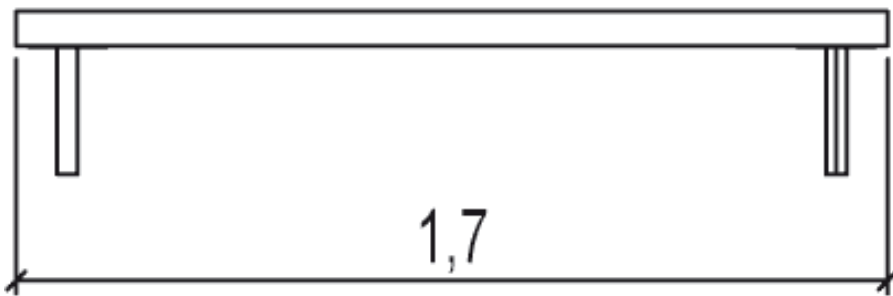
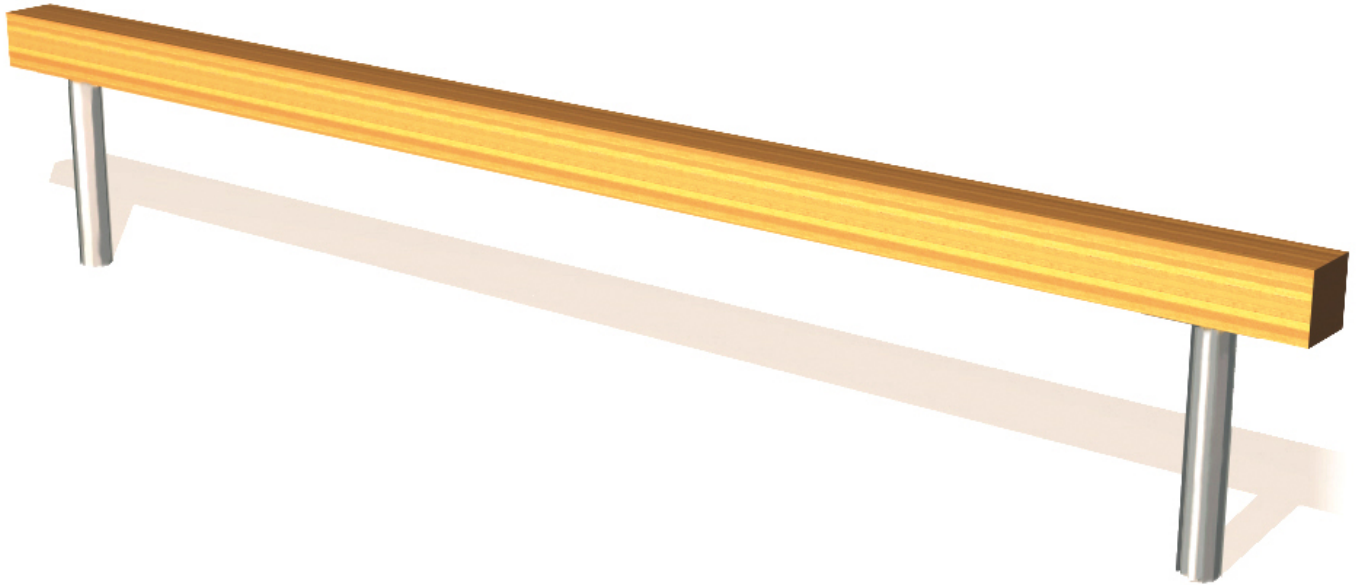
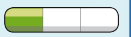
1 = 1,7m 2 = 0,06m 3 = 0,32m



Motor disability

Sensorial disabilities

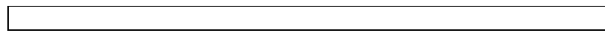
Learning disabilities



Play value : 1

balancing

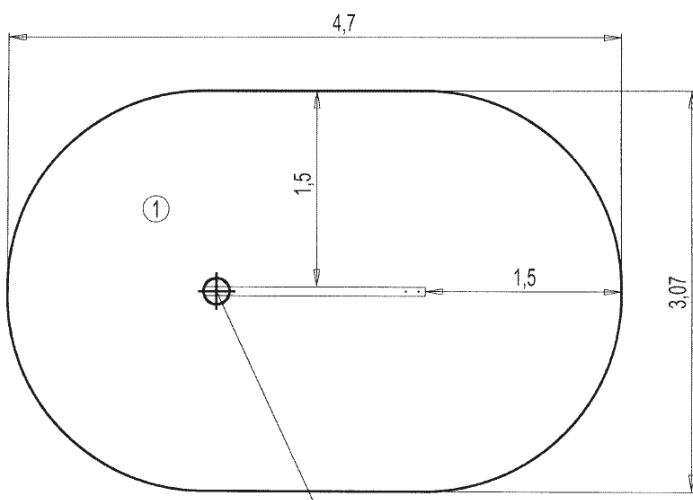






## Installation of equipment

Impact area =

-  Impact area
-  Free space



Point de Référence  
Setting Out Point  
Punto de referencia  
Bezugspunkt

		
1	0,30m	12,5m <sup>2</sup>



1



00h30



0.06m<sup>3</sup>



12.5m<sup>2</sup>



8kg



3kg



*Proludic*

2007-01-01