



3+



20



2,7m



1 = 6,4m 2 = 3,9m 3 = 3,5m



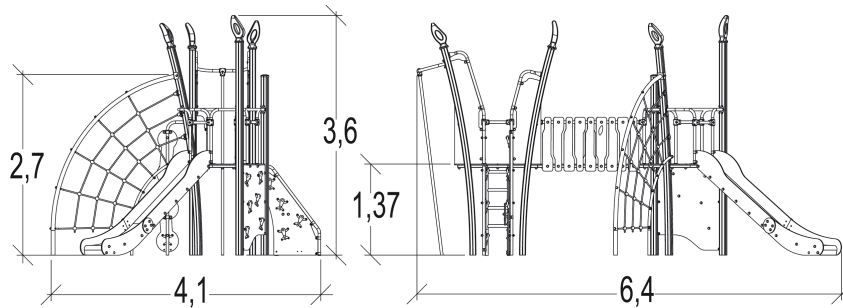
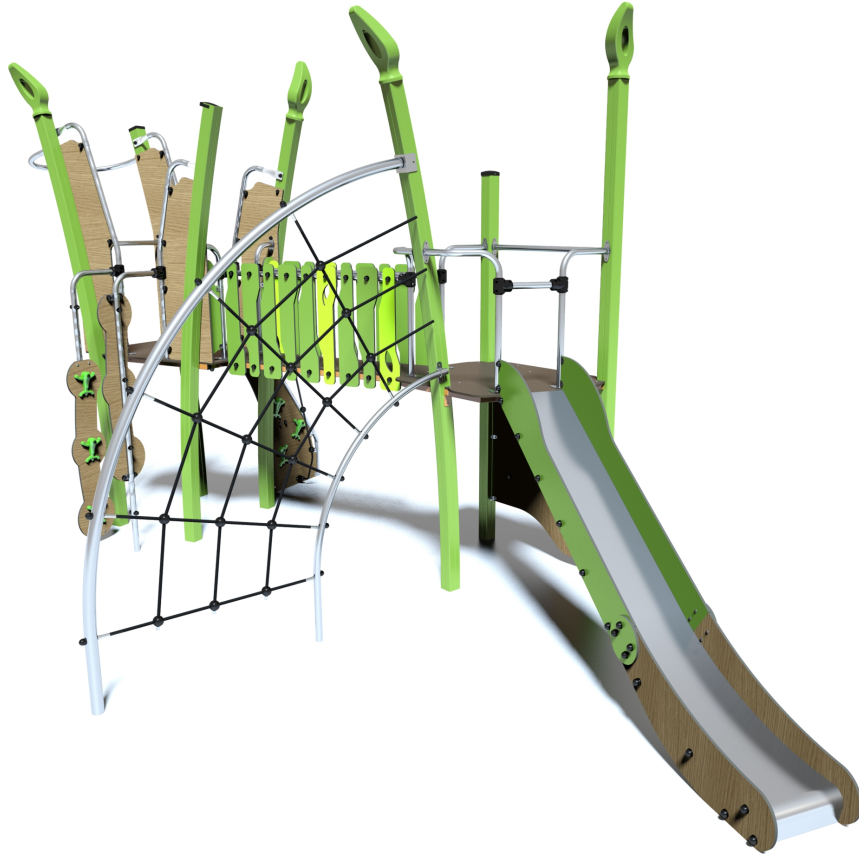
Motor disability



Sensorial disabilities



Learning disabilities



Play value :

13

climbing



x3

sliding



x2

meeting



x2

handling



x1

hiding



x1

balancing



x1

climbing

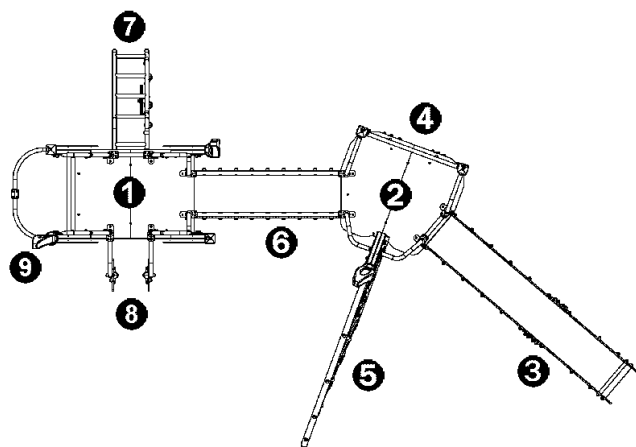


x2

getting across



x1

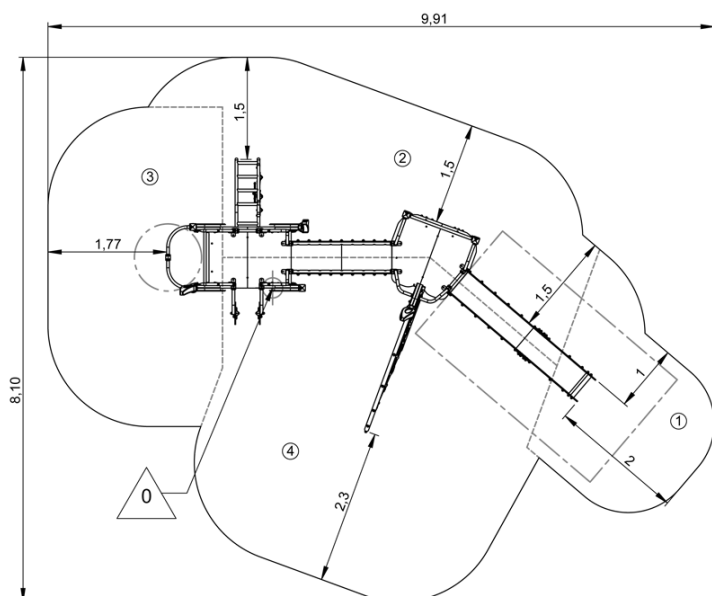


- ❶ Platform with no roof, Ht: 1,37m
- ❷ Platform with no roof, Ht: 1,37m
- ❸ Slide Ht : 1.37m
- ❹ Climbing wall HT: 1.37m
- ❺ Leaf net
- ❻ Straight bridge
- ❼ Climbing unit, HT: 1.37m
- ❽ Climbing ladder
- ❾ Fireman's pole

Installation of equipment

Impact area =

- Impact area
- Free space



1	1m	6,5m ²
2	1,37m	15m ²
3	1,9m	11,5m ²
4	2,7m	21,5m ²



2



18h00



0.5m³



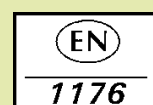
54.5m²



581kg



44kg



Proludic

0000-00-00