



3+



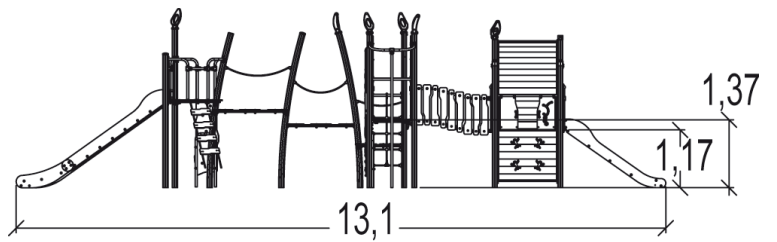
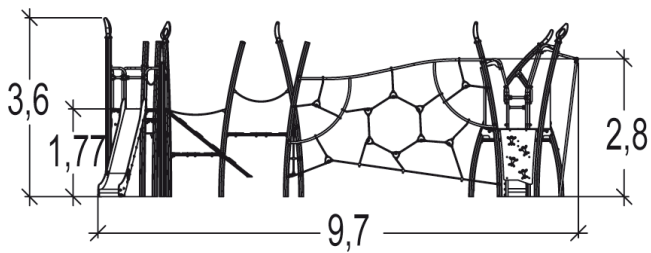
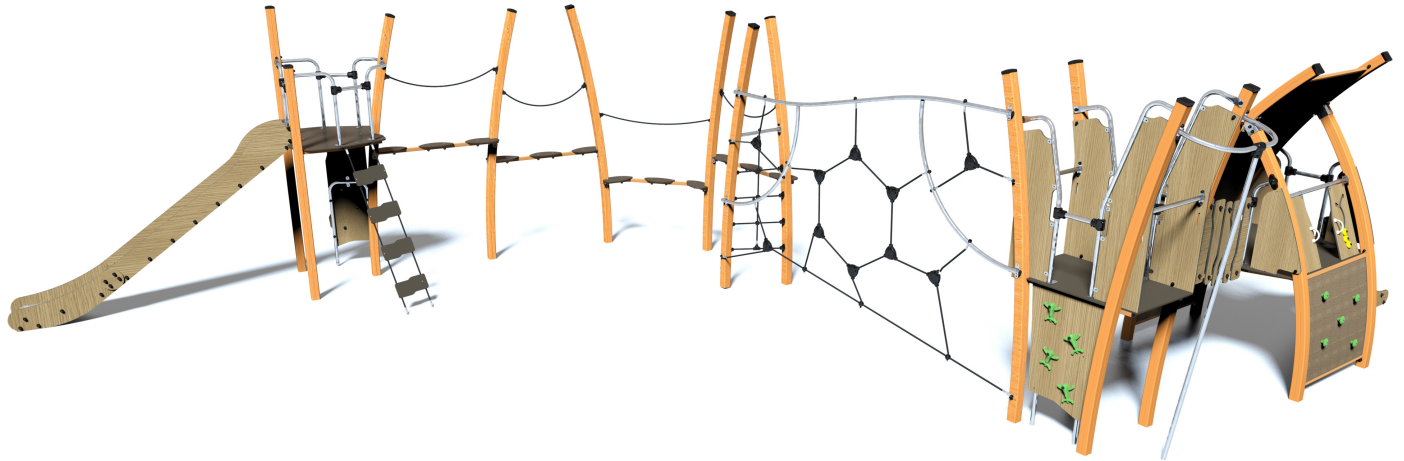
40



2,8m



1 = 13,3m 2 = 8,8m 3 = 3,6m



Play value : 7

climbing



x2

sliding



x1

balancing



x1

climbing

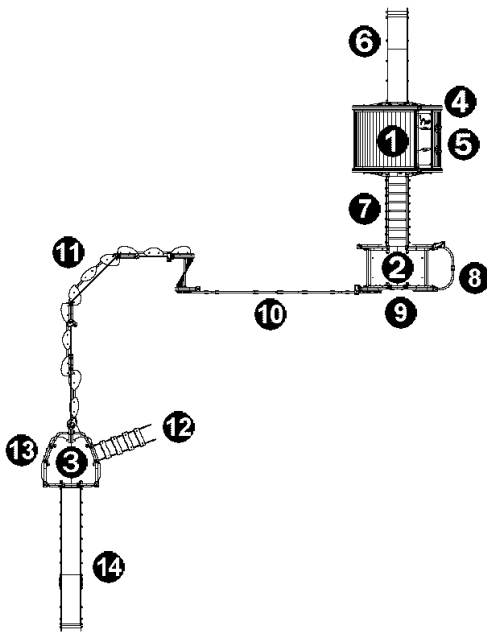


x2

getting across



x1

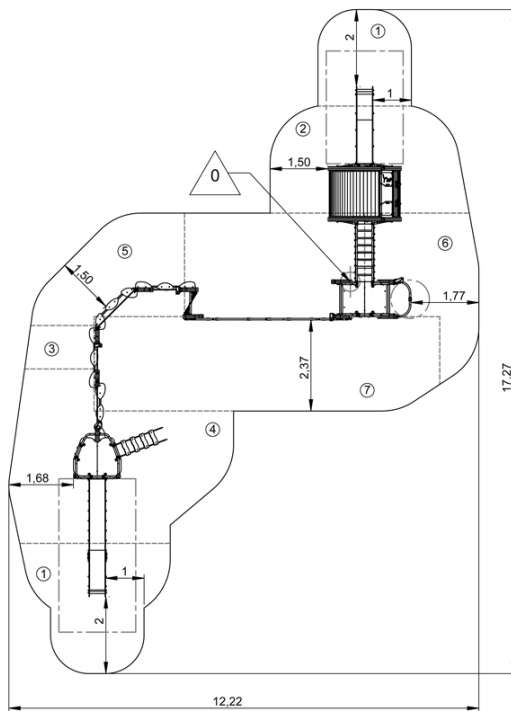


- ① Platform H: 1.17m
- ② Platform with no roof, Ht: 1,37m
- ③ Platform with no roof, Ht: 1,77m
- ④ Play panel
- ⑤ Climbing wall H: 1.7m
- ⑥ Slide Ht : 0.6m
- ⑦ Tilted bridge
- ⑧ Fireman's pole
- ⑨ Climbing wall Ht: 1.37m
- ⑩ Spider web net
- ⑪ Pathway
- ⑫ Net ladder
- ⑬ Climbing wall
- ⑭ Slide Ht : 1.77m

Installation of equipment

Impact area =

- Impact area
- Free space



1	1m	15,5m ²
2	1,17m	13m ²
3	1,29m	7,5m ²
4	1,58m	2m ²
5	1,77m	20m ²
6	1,9m	9,5m ²
7	2,8m	35,5m ²



2



25h00



0.8m³



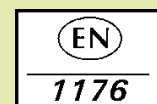
103m²



1047kg



28kg



Proludic

0000-00-00