

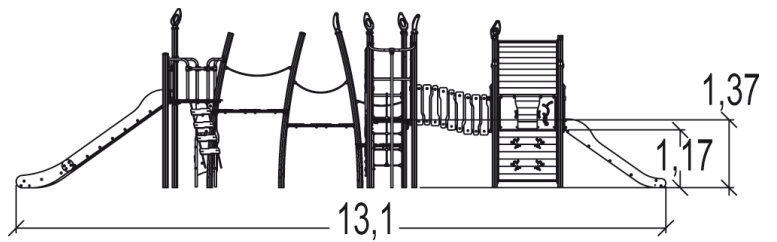
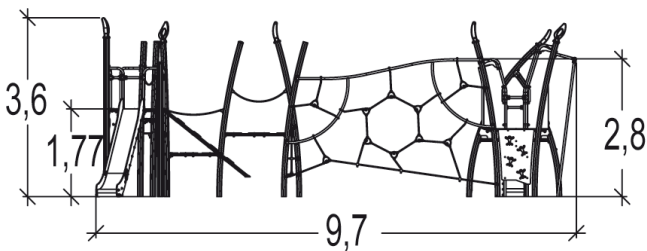
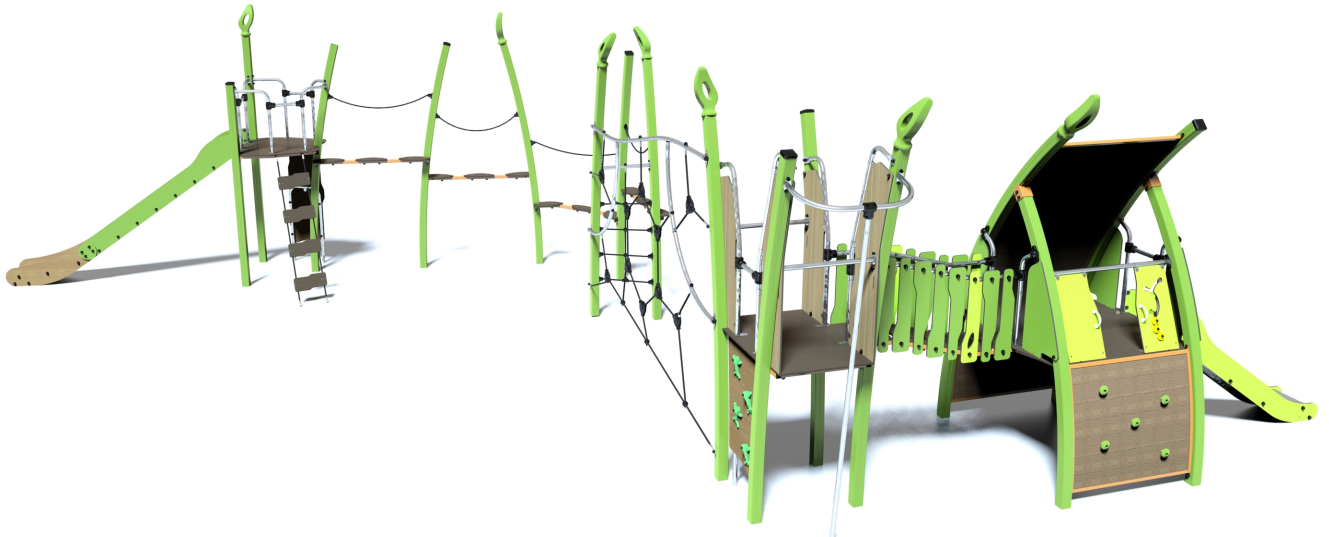


3+

40

2,8m

1 = 13,3m 2 = 8,8m 3 = 3,6m



Play value : 20

climbing



x3

sliding



x3

meeting



x3

handling



x1

hiding



x1

balancing



x2

taking shelter



x1

climbing

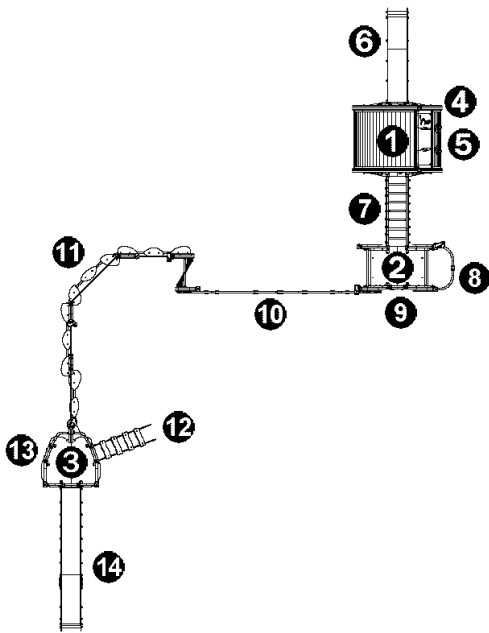


x2

getting across



x4

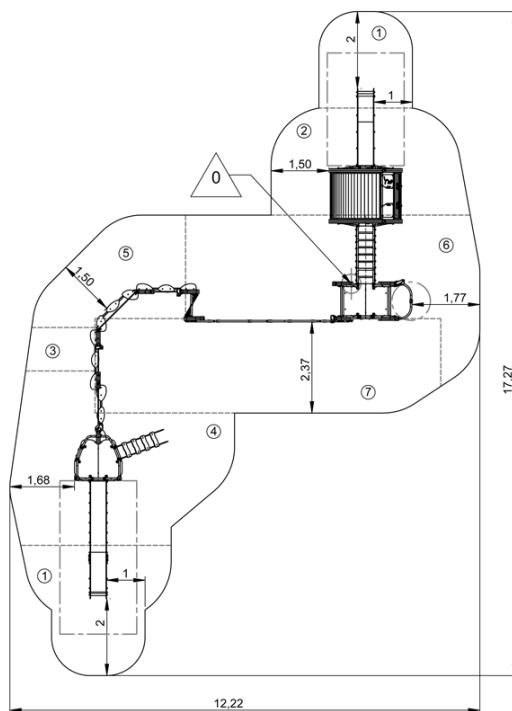


- ① Platform H: 1.17m
- ② Platform with no roof, Ht: 1,37m
- ③ Platform with no roof, Ht: 1,77m
- ④ Play panel
- ⑤ Climbing wall H: 1.7m
- ⑥ Slide Ht : 0.6m
- ⑦ Tilted bridge
- ⑧ Fireman's pole
- ⑨ Climbing wall Ht: 1.37m
- ⑩ Spider web net
- ⑪ Pathway
- ⑫ Net ladder
- ⑬ Climbing wall
- ⑭ Slide Ht : 1.77m

## Installation of equipment

Impact area =

- Impact area
- Free space



1	1m	15,5m <sup>2</sup>
2	1,17m	13m <sup>2</sup>
3	1,29m	7,5m <sup>2</sup>
4	1,58m	2m <sup>2</sup>
5	1,77m	20m <sup>2</sup>
6	1,9m	9,5m <sup>2</sup>
7	2,8m	35,5m <sup>2</sup>



2



25h00



0.8m<sup>3</sup>



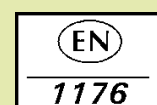
103m<sup>2</sup>



1071kg



44kg



*Proludic*

0000-00-00