



2+



15



1,37m



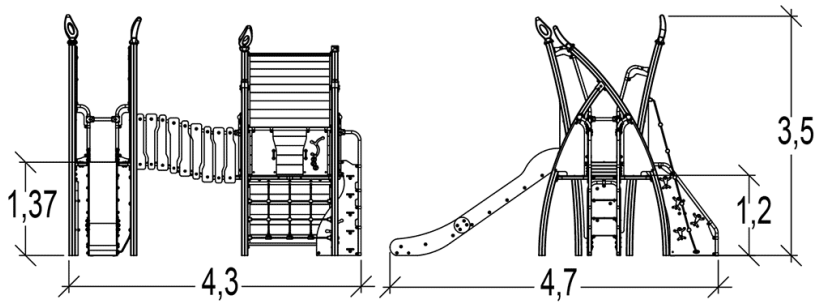
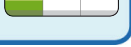
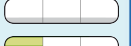
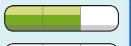
1 = 4,7m 2 = 4,3m 3 = 3,5m



Motor disability

Sensorial disabilities

Learning disabilities



Play value :

8

climbing



x2

handling



x2

balancing

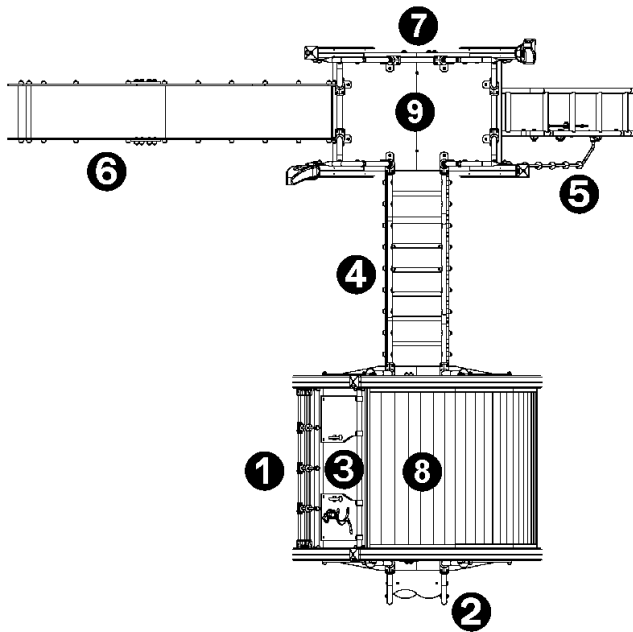


x1

climbing



x3

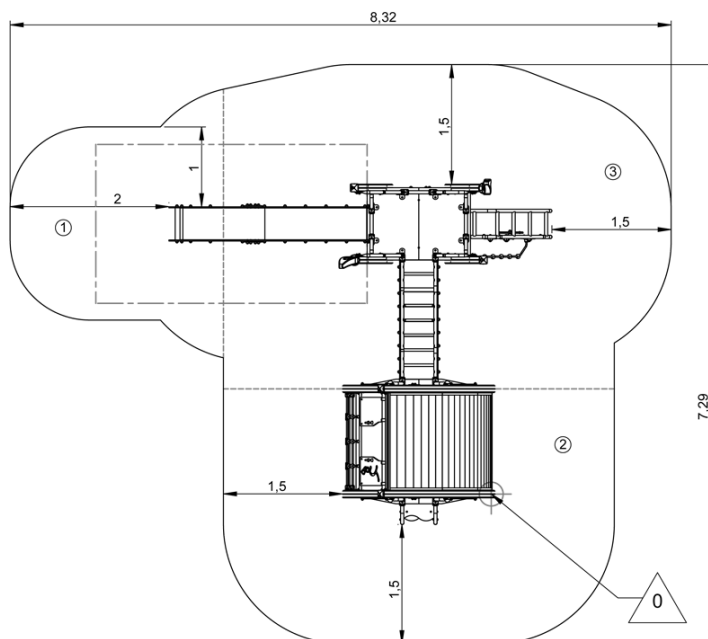


- ① filet Ht : 1,17 m
- ② Stairs Ht: 1.17m
- ③ Play panel
- ④ Tilted bridge
- ⑤ Climbing unit, HT: 1.37m
- ⑥ Slide Ht : 1.37m
- ⑦ Climbing wall Ht: 1.37m
- ⑧ Platform H: 1.17m
- ⑨ Platform with no roof, Ht: 1,37m

Installation of equipment

Impact area =

- Impact area
- Free space



1	1m	7m ²
2	1,17m	15m ²
3	1,37m	20,5m ²



2



17h00



0.6m³



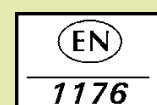
43m²



691kg



28kg



Proludic

0000-00-00