



PRODUCT INFORMATION Uno-C_TY_EN - 16.12.2021 - www.vs-furniture.com

Uno-C Skid desk.

Frame made C-shaped upright and flat-ended skids with plastic kick protection. Desk legs made from powder-coated or chrome-plated VS special steel tubing and cross-strut made from circular steel tubing.

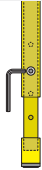


Desk sizes: 6 fixed heights or with 6-stage grid height adjustment using an Allen key fixing. All products compliant with DIN EN 1729.

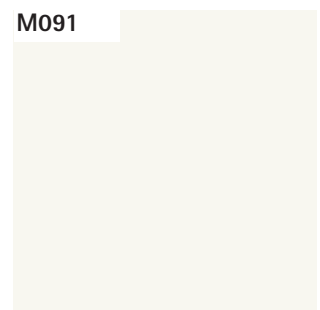
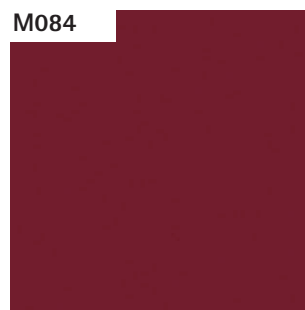
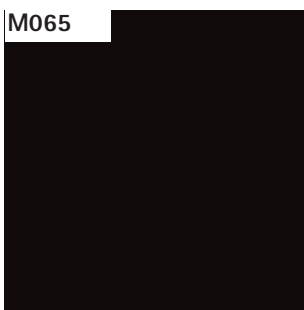
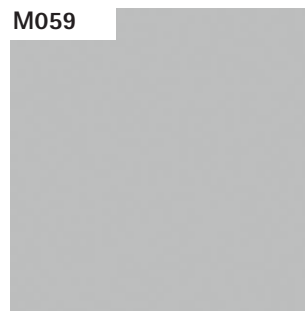
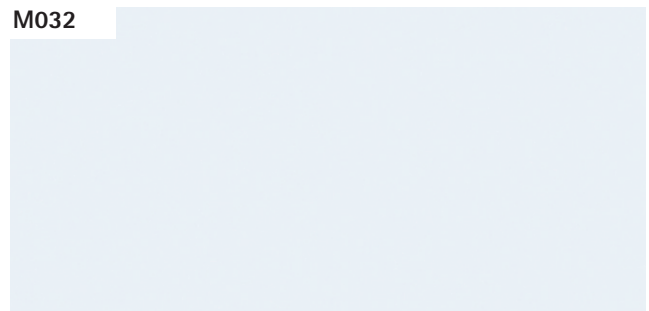
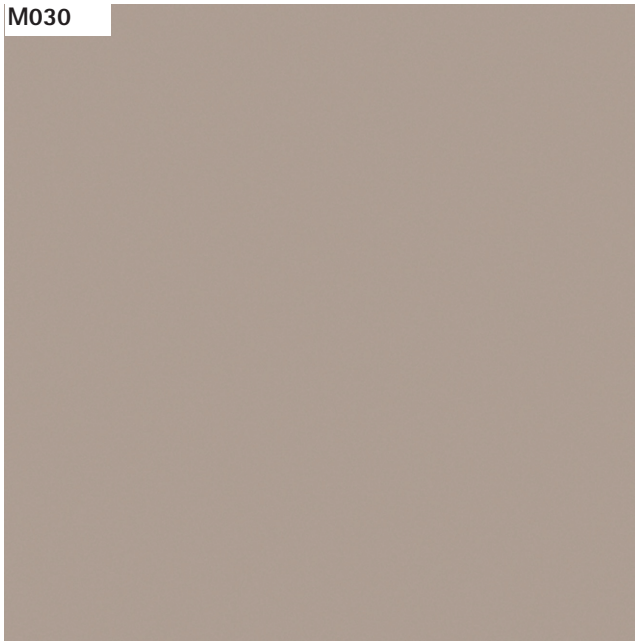
Desktop made from melamine-coated chipboard with continuous, moulded (PU) polyurethane safety edge or glued plastic edge, from exceptionally strong LIGNOdur safety board with soft, rounded edges, or from a high-strength HPL board (see table for dimensions and desktop types).

Equipment and options. With glide elements for hard and soft floors or 2K universal glide elements and satchel hooks. Also with screen, lattice-type book storage, plastic box or different kinds of chair suspension.

Warning: The desk height may vary depending on the type of desktop and the glide elements. Polyurethane edges are extremely tough. However, their colour may change over time.

The following material groups are available to choose from: Frame made of steel tube: M1; Top made of LIGNOdur: L1; Top made of chipboard with PUR edge: L2; Top made of chipboard: L4; HPL-top: L4.

		 Table heights (± 2 cm) as per DIN EN 1729 ● 2 = 53 cm ● 3 = 59 cm ● 4 = 64 cm ● 5 = 71 cm ● 6 = 76 cm ● 7 = 82 cm				
Uno-C	LIGNOdur, HPL, Chipboard-KU/-PUR	d = 50 cm	22430		22432	
		d = 65 cm		22431		22433
		w cm	70	75	130	
		Fixed height				
		Height adjustable in steps				
	Screen				22428	22429
	for table w cm			70, 75	130	
	h cm			25	25	



MATERIAL (COLORS AND DECORS) Mat-M1_MG_EN - 18.11.2019 - www.vs-furniture.com

Metal - Group: M1.

Metal parts. Steel and aluminium are mainly used in the manufacture of chairs and tables but also for racks. At VS, tubes as well as metal sheets for fronts are generally epoxy-resin powder-coated. In addition to various metal colours, selected products can also be chrome-plated.

M030 terra grey, M031 petrol, M032 light blue, M033 light green, M034 orange, M059 arctic, M063 anthracite, M065 black (RAL 9011), M071 sapphire blue RAL 5003, M084 oxblood, M091 white

Warning: Printed and monitor representations of materials and colour samples may differ from the original and are not colour-accurate.

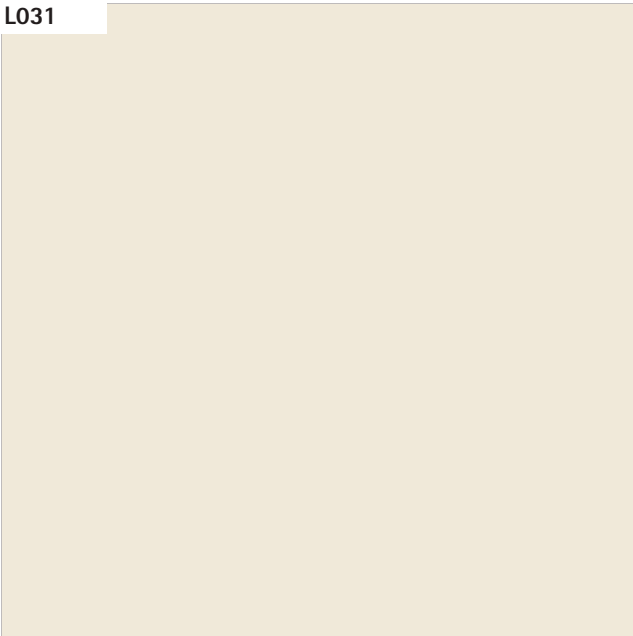
L027



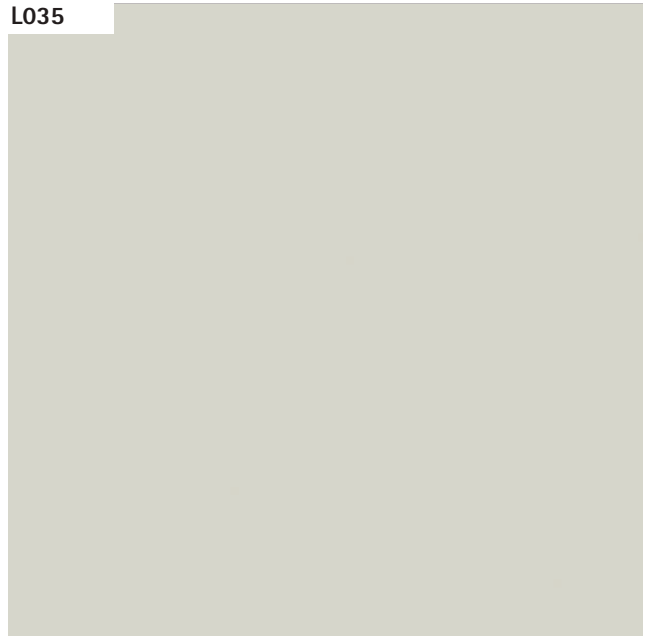
L028



L031



L035



MATERIAL (COLORS AND DECORS) Mat-L1_MG_EN - 05.01.2021 - www.vs-furniture.com

LIGNOdur, Chipboard - Group: L1.

Top surfaces. School table tops of LIGNOdur are exceptionally robust. They are made entirely from the sawdust and shavings left over from solid-wood processing and do not need any additional synthetic resin. The moulded top with rounded edges is coated with melamine resin. For the production of tables and panels for the bodies of clad furniture such as cupboards and filing cabinets, three-layer quality fine chipboard E1 (DIN EN 312) is used. The panels are laminated on both sides with melamine resin.

L027 natural beech laminate, L028 natural maple laminate, L031 grey white, L035 andes grey

Warning: Printed and monitor representations of materials and colour samples may differ from the original and are not colour-accurate.

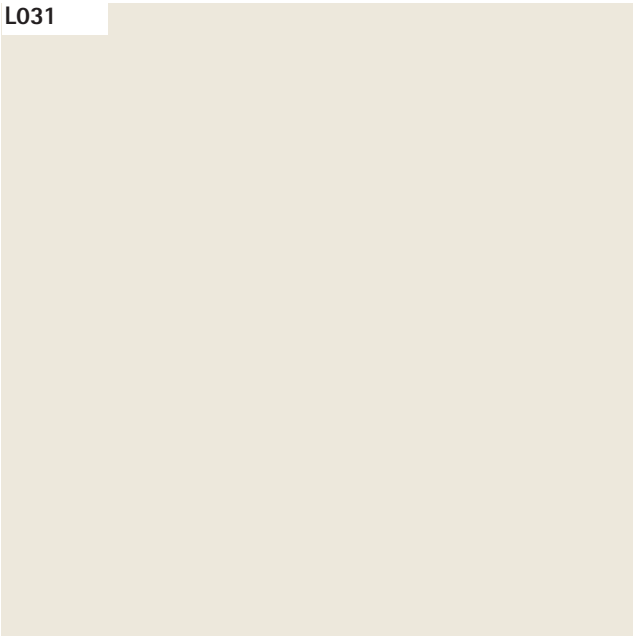
L027



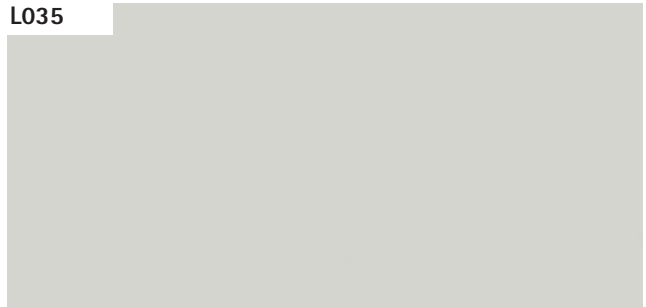
L028



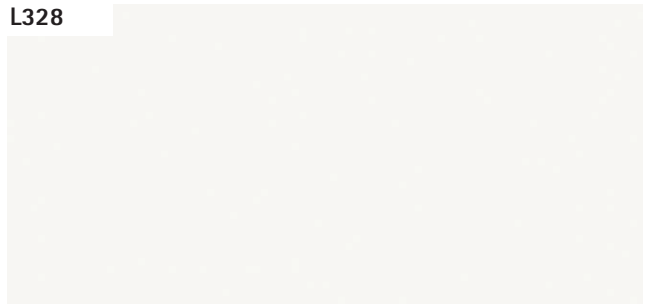
L031



L035



L328



MATERIAL (COLORS AND DECORS) Mat-L2_MG_EN - 15.11.2021 - www.vs-furniture.com

Chipboard - Group: L2.

Top surfaces. For the production of tables and panels for the bodies of clad furniture such as cupboards and filing cabinets, three-layer quality fine chipboard E1 (DIN EN 312) is used. The panels are laminated on both sides with melamine resin.

L027 natural beech laminate, L028 natural maple laminate, L031 grey white, L035 andes grey, L328 white

Warning: Printed and monitor representations of materials and colour samples may differ from the original and are not colour-accurate.

L027



L028



L029



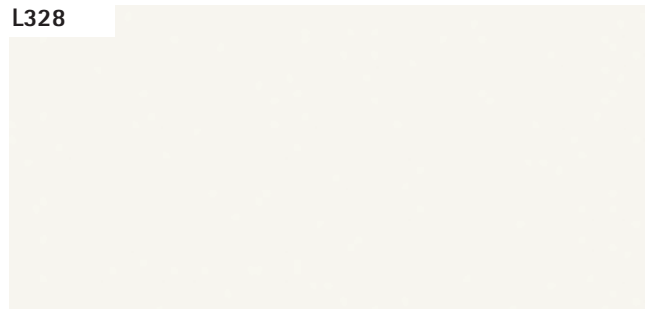
L031



L035



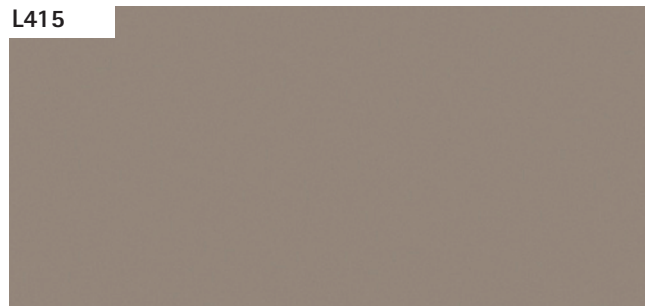
L328



L340



L415



MATERIAL (COLORS AND DECORS) Mat-L4_MG_EN - 23.11.2021 - www.vs-furniture.com

Chipboard - Group: L4.

Top surfaces. For the production of tables and panels for the bodies of clad furniture such as cupboards and filing cabinets, three-layer quality fine chipboard E1 (DIN EN 312) is used. The panels are laminated on both sides with melamine resin.

L027 natural beech laminate, L028 natural maple laminate, L029 natural walnut laminate, L031 grey white, L035 andes grey, L328 white, L340 natural oak laminate, L415 terra grey

Warning: Printed and monitor representations of materials and colour samples may differ from the original and are not colour-accurate.



ENVIRONMENTAL PRODUCT INFORMATION (EPI) U22430_UP_EN - 15.12.2021 - www.vs-moebel.de

Uno-C

Product description:

Design consisting of powder-coated steel tubing with central upright on flat-ended skids with plastic kick protection and table top made from melamine resin-coated chipboard with continuous moulded (PUR) polyurethane safety edge.

Human and Ecosystem Health:

The Uno-C has been awarded the following certificates:



Lifecycle assessment:

Material composition		Total recycled material content	
Wooden mat.	4,30 kg	47,20 %	pre consumer 4,80 %
Steel	3,99 kg	43,70 %	post consumer 36,70 %
Aluminium	0,00 kg	0,00 %	
Plastic	0,83 kg	9,10 %	
Other	0,00 kg	0,00 %	
Total	9,12 kg	100,00 %	Total 41,50 %

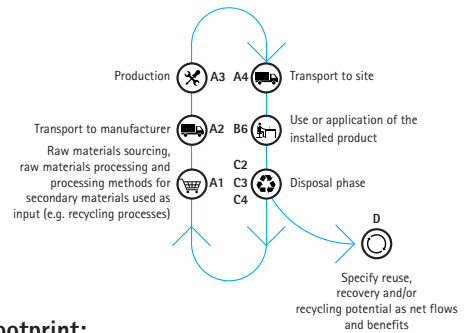
Recycling capability:

100%

Due to the great variation between models we have chosen the representative model 22430, Uno-C 70x50 cm with chipboard and plastic edge, height 76 cm, for the purposes of analysis. The packaging is not considered here because, as far as possible, we do without this. Reusable packing blankets made from 100% recycled materials are used to provide protection during transport.

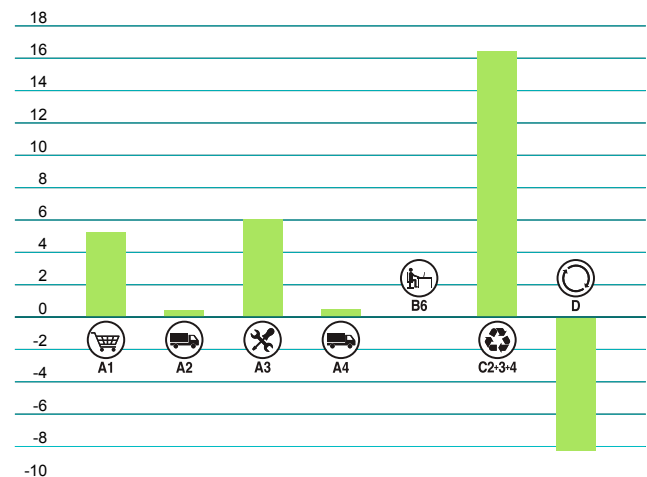
*The Environmental Product Information (EPI) is a type II environmental label in accordance with the specifications set out in ISO 14021. It is a document which describes the environmentally-relevant impacts of the corresponding item of furniture across the entire product lifecycle.

Product lifecycle (material cycle):



Carbon footprint:

Global warming potential [kg CO₂-Eq]



Alongside many other environmental indicators, which are listed in the following table, we shall briefly mention the „carbon footprint“ here: Summary of the global warming potential (GWP) of fossil and biogenic energy sources/materials and the global warming potential of land use/change of land use. The value is presented in kg CO₂-equivalent. In the “Cradle-to-Gate” assessment, only the global warming potential of phases A1 to A3 (raw material extraction, transport and manufacturing) is considered.



Detailed results of the lifecycle assessment:

Environmental impacts	Unit	A1+A2+A3	A4	B6	C2+C3+C4	D
Climate Change <small>(Sum of lines 2, 3, 4)</small>	[kg CO ₂ eq.]	1,17E+01	3,44E-01	0,00E+00	9,87E+00	-7,15E+00
- Climate Change (fossil)	[kg CO ₂ eq.]	1,72E+01	3,42E-01	0,00E+00	2,29E+00	-7,13E+00
- Climate Change (biogenic)	[kg CO ₂ eq.]	-5,56E+00	1,38E-04	0,00E+00	7,58E+00	-1,21E-02
- Climate Change (land use change)	[kg CO ₂ eq.]	3,56E-02	1,43E-03	0,00E+00	1,55E-03	-2,51E-03
Ozone depletion	[kg CFC-11 eq.]	2,38E-09	8,40E-17	0,00E+00	1,45E-15	-4,81E-14
Acidification terrestrial and freshwater	[Mole of H ⁺ eq.]	4,59E-02	3,16E-04	0,00E+00	5,43E-03	-1,12E-02
Eutrophication freshwater	[kg P eq.]	8,64E-05	7,45E-07	0,00E+00	9,83E-07	-6,05E-06
Eutrophication marine	[kg N eq.]	1,37E-02	9,80E-05	0,00E+00	2,54E-03	-2,27E-03
Eutrophication terrestrial	[Mole of N eq.]	1,47E-01	1,19E-03	0,00E+00	2,93E-02	-2,34E-02
Photochemical ozone formation - human health	[kg NMVOC eq.]	3,82E-02	2,60E-04	0,00E+00	6,54E-03	-8,48E-03
Resource use, mineral and metals	[kg Sb eq.]	2,23E-06	2,84E-08	0,00E+00	5,18E-08	-7,92E-06
Resource use, energy carriers	[MJ]	2,57E+02	4,55E+00	0,00E+00	7,34E+00	-9,20E+01
Water scarcity	[m ³ world equiv.]	9,15E-01	1,47E-03	0,00E+00	9,82E-01	-1,00E+00

Resource use	Unit	A1+A2+A3	A4	B6	C2+C3+C4	D
Use of renewable primary energy (PERE)	MJ	1,17E+02	2,65E-01	0,00E+00	6,18E+01	-1,14E+01
Primary energy resources used as raw materials (PERM)	MJ	6,11E+01	0,00E+00	0,00E+00	-6,11E+01	0,00E+00
Total use of renewable primary energy resources (PERT)	MJ	1,78E+02	2,65E-01	0,00E+00	6,94E-01	-1,14E+01
Use of non-renewable primary energy (PENRE)	MJ	2,18E+02	4,55E+00	0,00E+00	4,62E+01	-9,20E+01
Non-renewable primary energy resources used as raw materials (PENRM)	MJ	3,88E+01	0,00E+00	0,00E+00	-3,88E+01	0,00E+00
Total use of non-renewable primary energy resources (PENRT)	MJ	2,57E+02	4,55E+00	0,00E+00	7,35E+00	-9,20E+01
Input of secondary material (SM)	MJ	2,22E+00	0,00E+00	0,00E+00	0,00E+00	0,00E+00
Use of renewable secondary fuels (RSF)	MJ	0,00E+00	0,00E+00	0,00E+00	0,00E+00	0,00E+00
Use of non renewable secondary fuels (NRSF)	MJ	0,00E+00	0,00E+00	0,00E+00	0,00E+00	0,00E+00
Use of net fresh water (FW)	MJ	6,09E-02	2,37E-04	0,00E+00	2,33E-02	-2,98E-02

Output flows and waste categories	Unit	A1+A2+A3	A4	B6	C2+C3+C4	D
Hazardous waste disposed (HWD)	kg	1,91E-05	1,70E-07	0,00E+00	1,72E-07	-1,80E-08
Non-hazardous waste disposed (NHWD)	kg	2,15E-01	7,98E-04	0,00E+00	1,14E-01	3,20E-01
Radioactive waste disposed (RWD)	kg	5,56E-03	4,79E-06	0,00E+00	1,27E-04	-4,43E-03
Components for re-use (CRU)	kg	0,00E+00	0,00E+00	0,00E+00	0,00E+00	0,00E+00
Materials for Recycling (MFR)	kg	2,37E-01	0,00E+00	0,00E+00	1,97E+00	0,00E+00
Material for Energy Recovery (MER)	kg	0,00E+00	0,00E+00	0,00E+00	0,00E+00	0,00E+00
Exported electrical energy (EEE)	kg	1,73E+00	0,00E+00	0,00E+00	1,39E+01	0,00E+00
Exported thermal energy (EET)	kg	3,87E+00	0,00E+00	0,00E+00	2,48E+01	0,00E+00

Sustainability at VS:

Corporate principles:

VS considers the responsible use of the natural resources in the environment to constitute an important corporate principle. One of the main aims of the environmental policy at VS is to minimize environmental impacts at the production site and to be able to offer our customers products that are manufactured in a way that preserves the environment as much as possible. We at VS consider our obligation to the natural environment to include:

- the protection of the environment, our employees and our customers by preventing harmful influences during the manufacture, use and disposal of our products
- preventing or minimising emissions and waste
- minimizing the consumption of the natural resources water, ground and air
- being economical in our consumption of materials in all manufacturing sectors (recirculation)
- environmentally-oriented material selection and the modular design of VS products in order to facilitate recycling
- avoidance of unnecessarily long transport paths by preferring to work with suppliers in Germany and neighbouring countries
- ensuring that VS products are particularly long-lived through wide-ranging wear parts replacement capabilities by the VS Spare Parts Service
- option for a "second life" for furniture that is taken back and reworked and sold in the in-house factory sales area

Certification of our management systems:

Certification of our management systems in accordance with the specifications set out in DIN EN ISO 9001, DIN EN ISO 14001 and DIN EN ISO 50001 documents the high performance levels of our quality objectives, environmental protection measures and the measures taken to save energy and reduce CO₂ emissions.

VS has been committed to the principles of the Global Compact since September 2008. The principles of the United Nations regarding human rights, working conditions, the environment and the fight against corruption.



Conformity:

VS's products comply with the REACH regulation and are also RoHS-compliant: they do not contain any materials from Annex XIV (1907/2006/EC) or the SVHC candidate list exceeding the limit value of 1000 ppm. Electrical components have been registered by VS under WEEE reg. no. DE 45470288 or by our suppliers in accordance with the German law on electrical and electronic equipment.

Contribution to building certifications:

VS products can help achieve desired building certification in accordance with LEED, WELL, etc. Depending on the selected products, points can be acquired relating to criteria in the fields of recycling/waste elimination or non-toxic constituents/low emissions. Evidence of this can be seen in the form of certificates such as GREENGUARD GOLD or BIFMA e3 level.

Published by:

VS Vereinigte Spezialmöbelfabriken GmbH & Co. KG
Hochhäuser Straße 8 · D-97941 Tauberbischofsheim
Tel.: 09341 88-0 · sustainability@vs-moebel.de · www.vs.de

Disclaimer:

Because these are manufacturers' specifications, no liability is accepted! The results of the lifecycle assessments have not been verified.

