

Duplex Twister

Model Number JS-0234C



User group

Body height greater than 140 cm

Maximum user weight: 150 kg

Main functions

Exercises spinal-column. Loosens-up back-muscles, exercises hips and glutes.

Equipment dimensions

Base area (LxW): 1615 mm x 652 mm

Total height: 1603 mm

Height above ground surface: 1103 mm

Movement space

4698 mm x 3652 mm x 2091 mm

Free height of fall

Seat height = 591 mm

Required surface material

Concrete / stone, bitumen-bonded surfaces or synthetic impact absorbing materials

(No loose filling material is permitted due to design requirements)

Weight of apparatus (±2 kg)

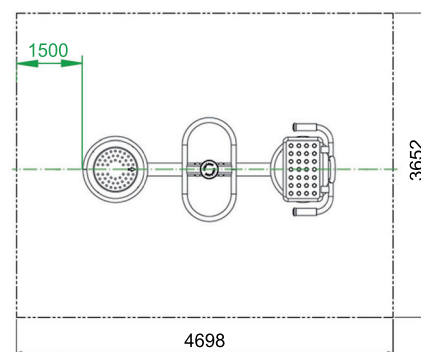
59.5 kg

Conformity with standards

This equipment conforms to:
EN 16630:2015

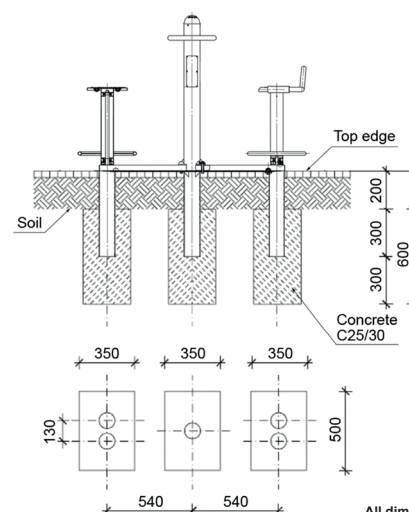


Availability of spare parts: Available



All dimensions in mm

Top view / Area of movement



All dimensions in mm

Foundation plan