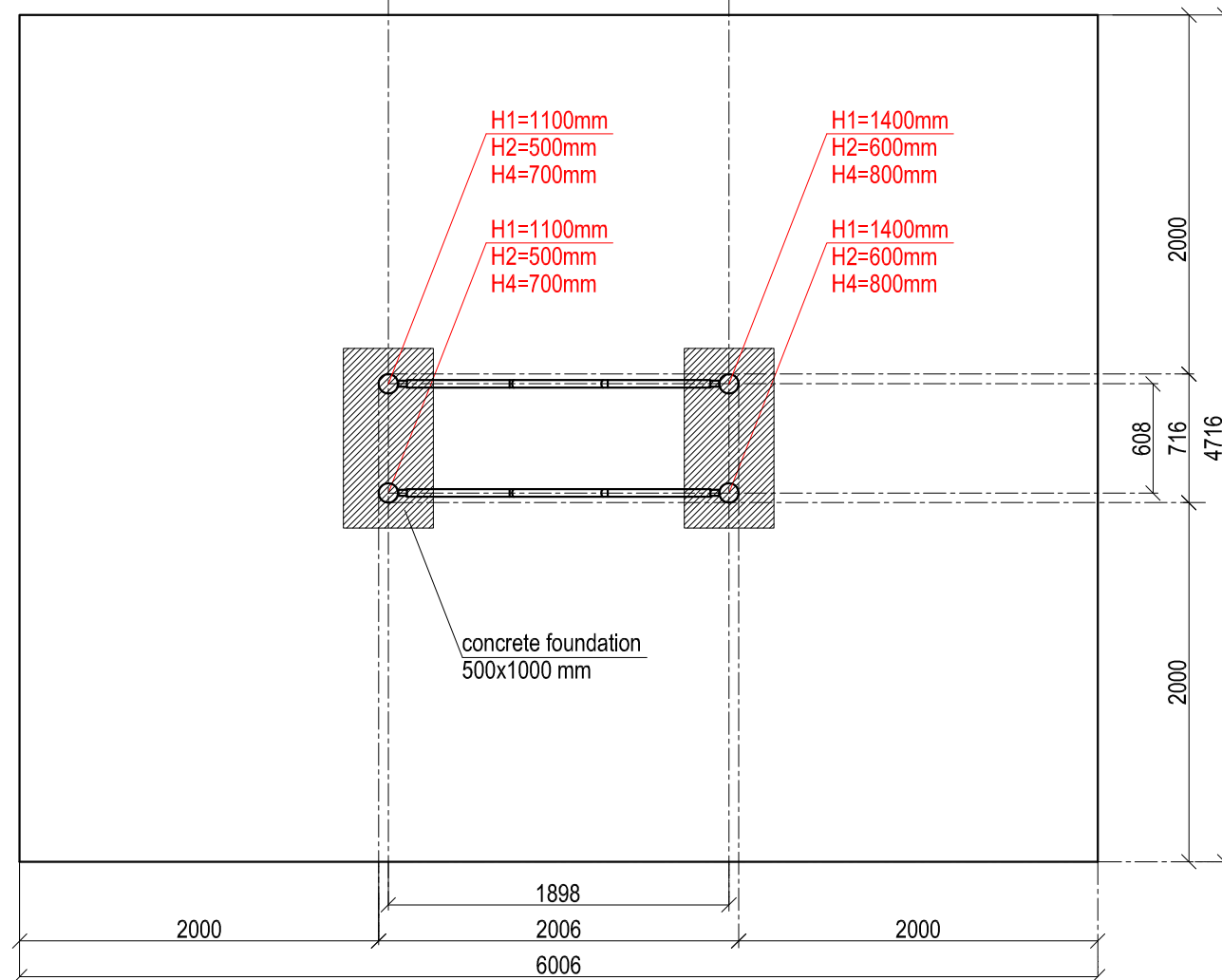
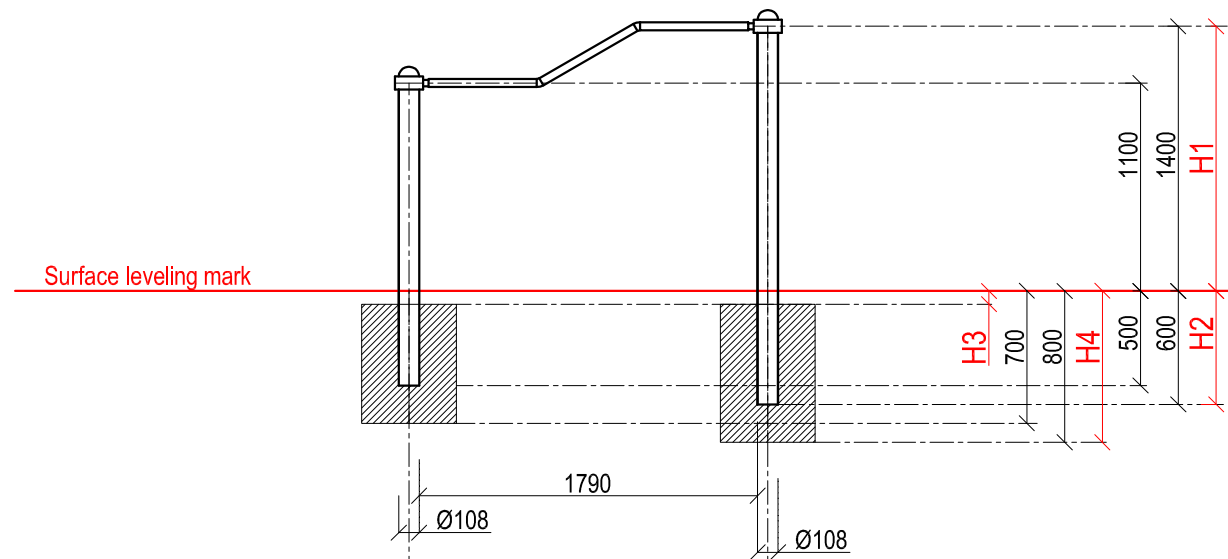
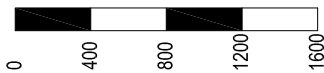


SCALE 1:40



LTD "KENGURU PRO"  
 Address: Ezera street 21-28, Riga, Latvia, LV-1034  
 VAT Reg. No. 40103750152  
 Bank: A/S DNB bank, SWIFT: RIKOLV2X ,  
 Bank Account: LV65RIKO0002930161161  
 e-mail: info@kengurupro.eu  
 www.kengurupro.eu

P-005

PARAKENGURU Parallel multi-level bars



The complex consists of four backup columns at the height of: 1400 mm -2 pieces, 1100 mm-2 pieces. Parallel bars are fixed to backup columns at the height 1100mm and 1400mm by means of collars. The distance between bars is 608 mm, total length 1790mm, bar diameter 42 mm. Weight - 88.00 kg.

**Installation instructions:**

- Choose a suitable underground for the unit (see page 2, table 2)!
- Prepare the construction pit with a drilling machine or other devices.
- Before pouring the concrete all structures elements must be leveled and fixed.
- Complex elements must be fixed and bolted together with metal clamps.
- Ready-made C25 concrete should be used.
- Crossbars installation height can be changed according to customer's wishes.
- Approximately 0,15m<sup>3</sup> concrete is needed for each spot foundation.
- Under the structures we recommend to install absorbing rubber cover.

The size of the hole for the foundation is depending on the consistency of the ground. The dimensions mentioned above are applicable for normal conditions with firm ground. If the ground is extremely soft, a much bigger foundation is needed. Use only appropriate material and follow the installation instructions closely!!!

Foundation plan and area of movement of the P-005 PARAKENGURU Parallel multi-level bars				Technical information		
Foundation when using Shock absorbing underground (synthetic – rubber granulates)		Beveling of foundation when using loose filling material		width:	716 mm	
				height:	1450 mm	
<b>H3</b>	<b>Drop height</b>	<b>H3</b>	<b>Drop height</b>	length:	2006 mm	
40 mm	> 1.2.....1.4 m	20 cm	< 1.0 m	largest part:	2050 mm	
50 mm	> 1.5.....1.7 m	30 cm	< 2.0 m	weight:	88,00 kg	
60 mm	> 1.8.....2.0 m	40 cm	< 3.0 m	floor space required:	4716 x 6006 mm	
70 mm	> 2.1.....2.5 m			pipe measurements:	diameter:	wall thickness:
					108 mm	3.2 mm
					42.4 mm	3.2 mm
				metal parts:	steel, galvanized, powder coated RAL 7016 (anthracite grey)	
				metal clamps:	aluminium, powder coated, RAL 2004 (pure orange)	
				bolts for metal clamps:	stainless steel, Pin Hex Button Head Security Screws M10	
				max. free fall height:	< 1400 mm	possible underground see DIN 79000:2012-05 Tab.2 or installation instructions
				user age:	children under 14 years only under surveillance of parents	
				maximum user weight:	130 kg	
				certificates:		

