


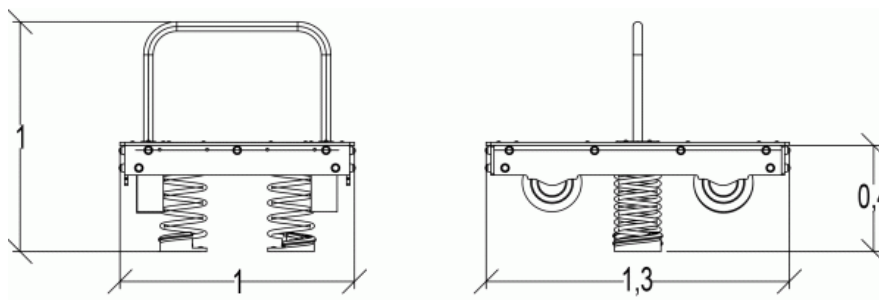
 **3+**
 **4**
 **0,6m**



 1 = 1,29m
 2 = 0,99m
 3 = 0,98m



Motor inclusion
 Sensory inclusion
 Mental inclusion



Play value : **4**

role play

meeting

swinging

balancing



x1



x1

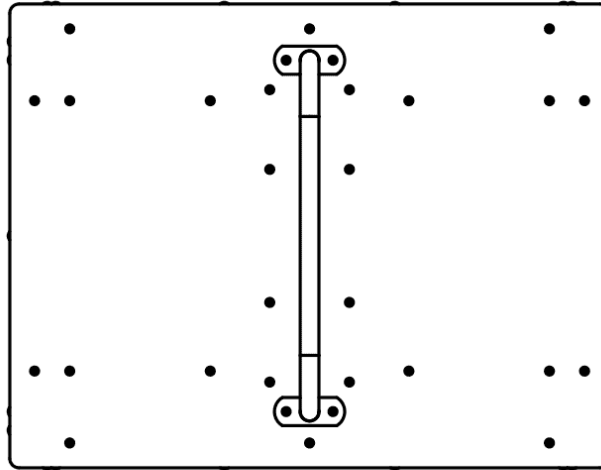


x1



x1

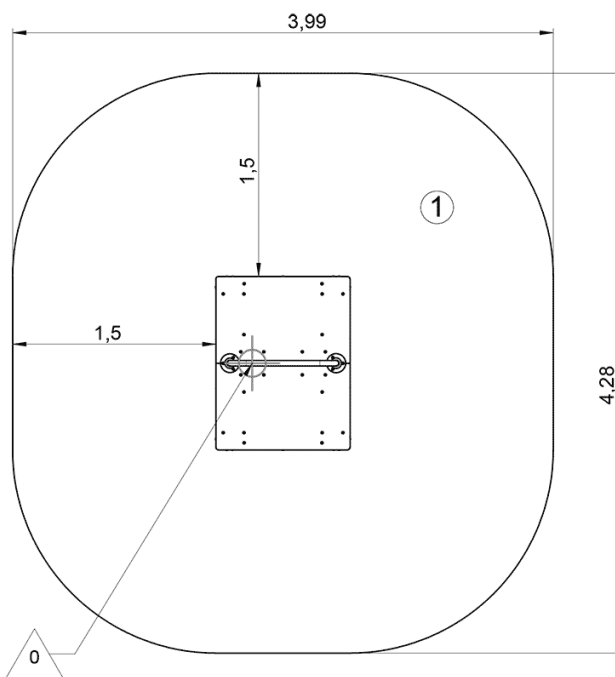
Components



Installation of equipment

Impact area =

— Impact area
- - - Free space



1	0,6m	15m ²



2

02h00

0m³

15m²

129kg

11kg

