

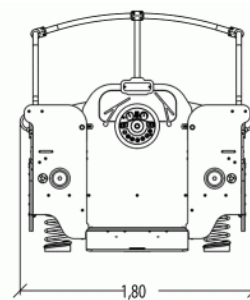
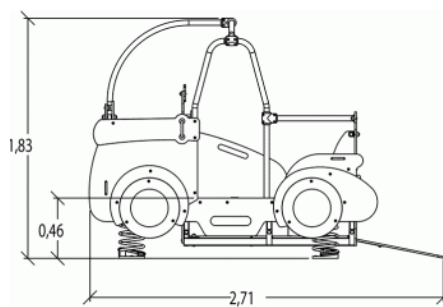










 **2+**
 **8**
 **0,6m**

 1 = 2,72m
 2 = 1,8m
 3 = 1,84m



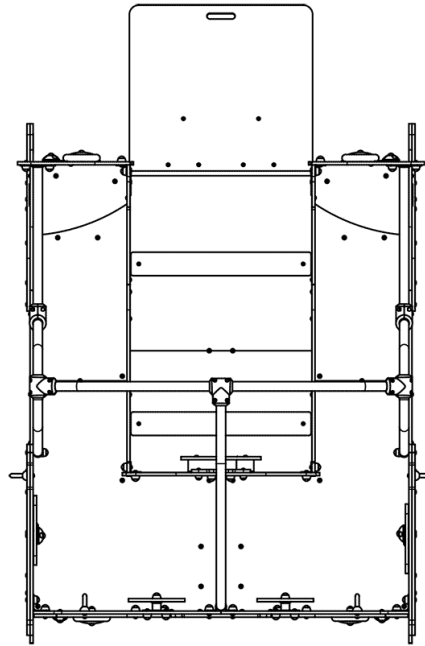
Motor inclusion
Sensory inclusion
Mental inclusion



Play value : **20**

role play	meeting	resting	handling	swinging	balancing	thinking	sound stimulation
							
x1	x1	x1	x5	x1	x1	x2	x2
tactile stimulation	visual stimulation						
							
x5	x1						

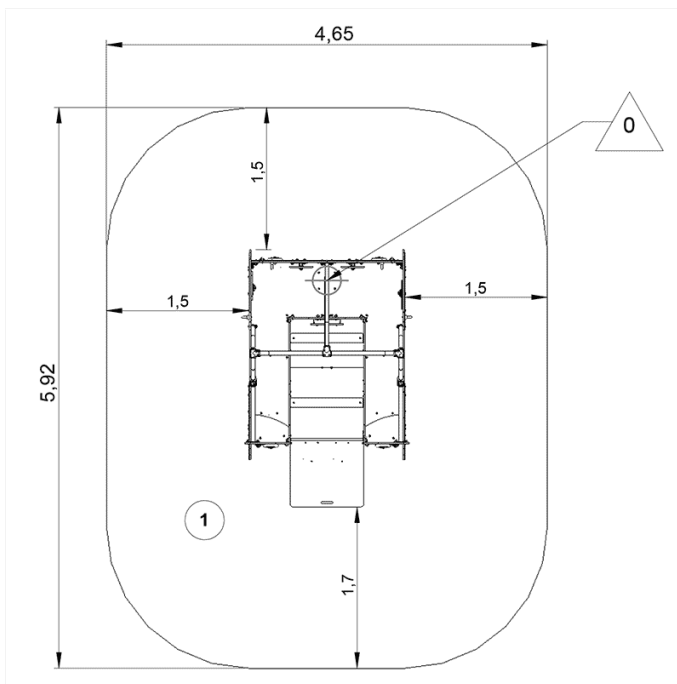
Components



Installation of equipment

Impact area =

— Impact area
- - - Free space



1	0,46m	26m ²



2



04h00



0m³



26m²



374kg



28kg

