



2+



1



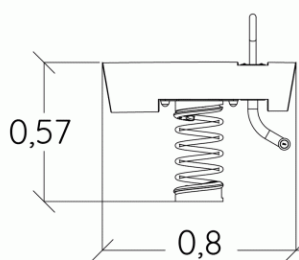
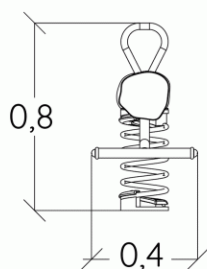
0,6m



1 = 0,8m
2 = 0,4m
3 = 0,8m



Motor inclusion
Sensory inclusion
Mental inclusion



Play value :

2

swinging



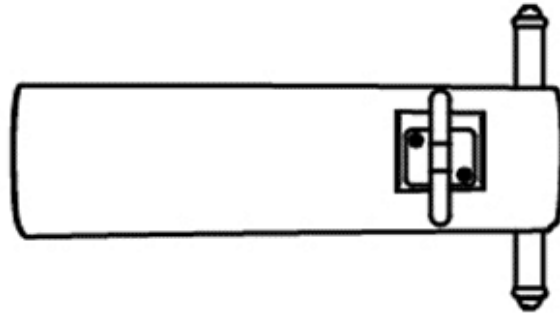
x1

balancing



x1

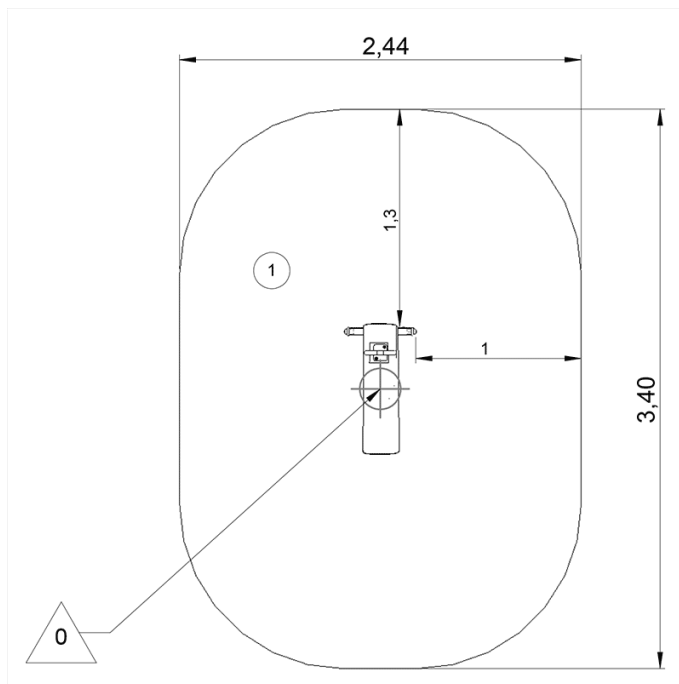
Components





Installation of equipment

Impact area =

-  Impact area
-  Free space



| | | |
|---|---|---|
| |  |  |
| 1 | 0,60m | 7,5m ² |



2



02h15



0.02m³



7.5m²



101kg



80kg

