



5+



20



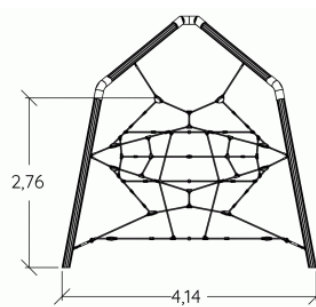
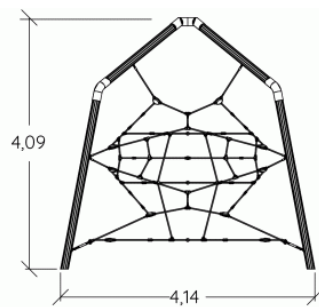
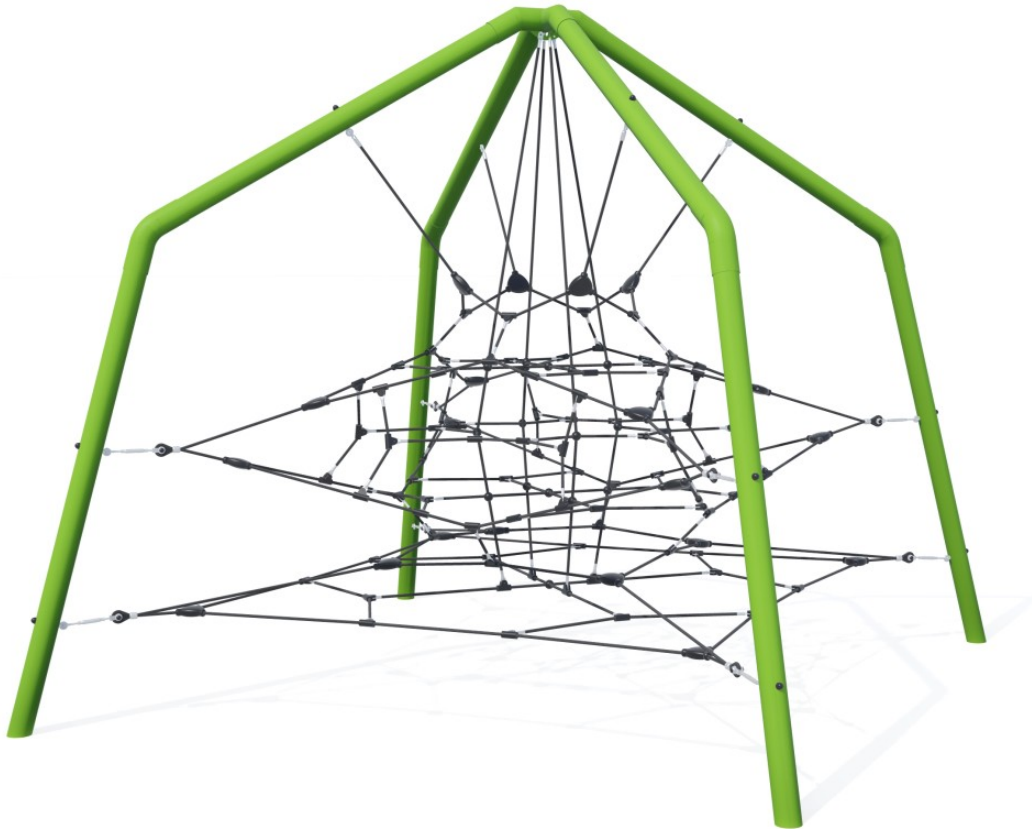
1,5m



1 = 6,19m  
2 = 6,19m  
3 = 3,98m



Motor inclusion  
Sensory inclusion  
Mental inclusion



Play value :

4

meeting



x1

balancing



x1

climbing



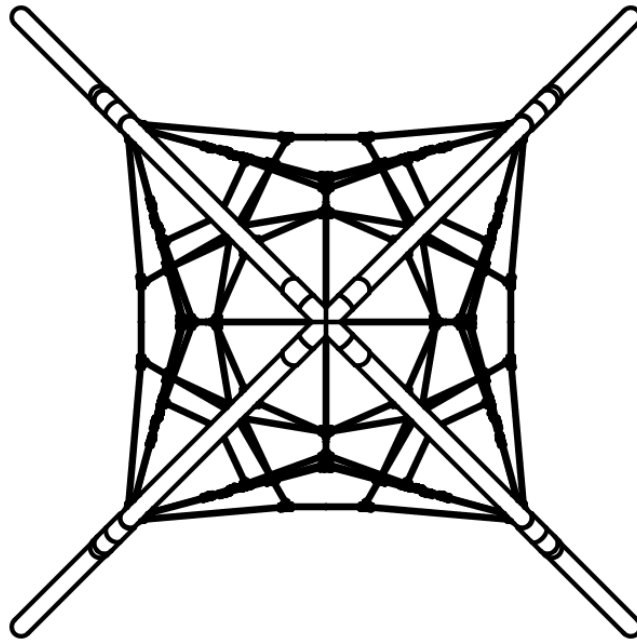
x1

getting across



x1

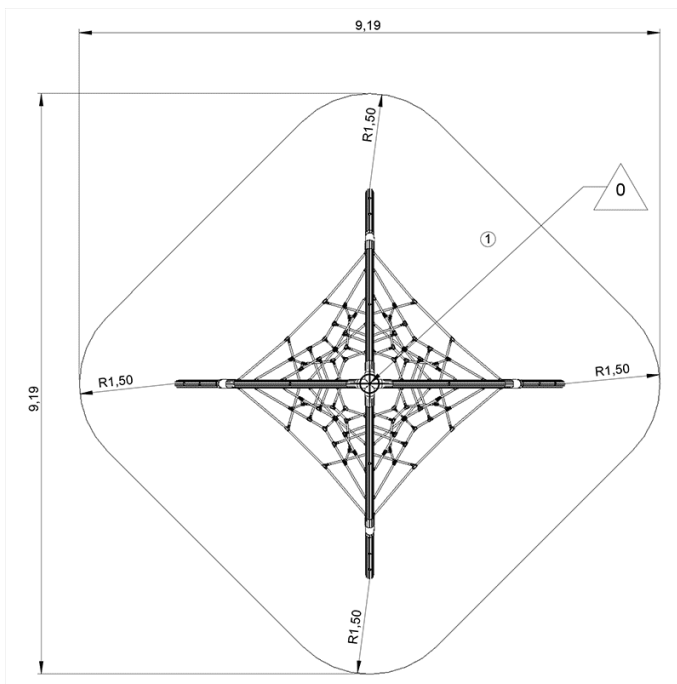
## Components





## Installation of equipment

Impact area =

-  Impact area
-  Free space



	
1	1,5m
	52,5m <sup>2</sup>



2

00h0

0.45m<sup>3</sup>

52.5m<sup>2</sup>

283kg

62kg

