



3+



24



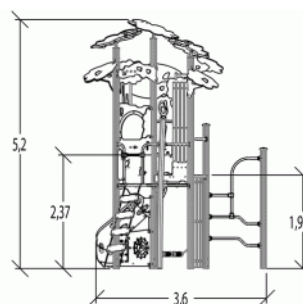
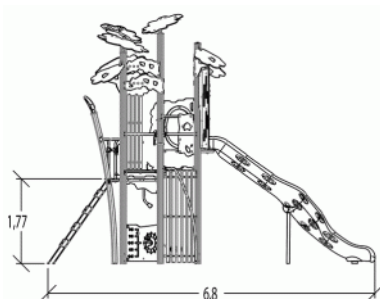
2,37m



1 = 6,85m
2 = 3,86m
3 = 5,2m



Motor inclusion
Sensory inclusion
Mental inclusion

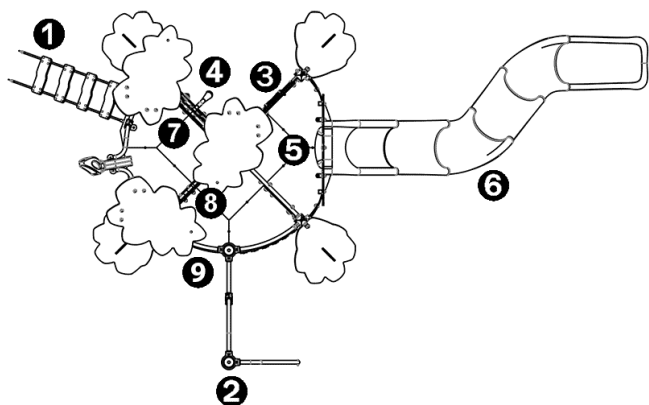


Play value :

23

role play x2	sliding x2	meeting x1	resting x2	handling x2	swinging x2	hiding x1	balancing x1
taking shelter x1	thinking x1	sound stimulation x1	tactile stimulation x2	visual stimulation x2	climbing x2	getting across x1	



Components

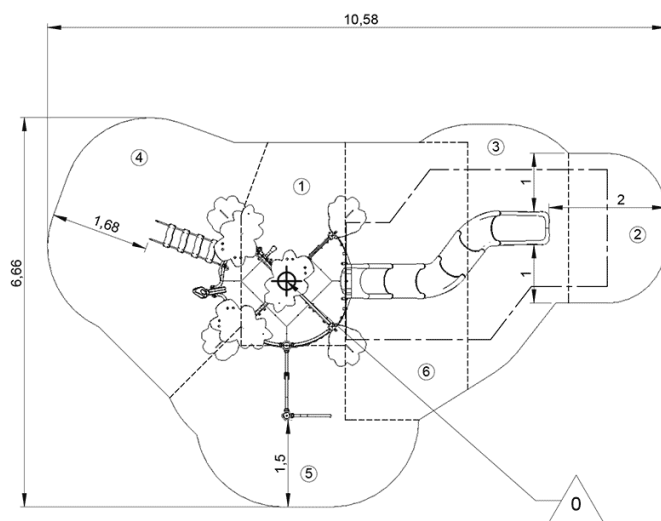


- 1 Net ladder
- 2 Interconnection
- 3 Play porthole
- 4 Clock panel
- 5 Platform Ht : 2,37 m
- 6 toboggan Ht : 2.37 m
- 7 Play panel
- 8 palissade cabane
- 9 2-seater suspended seats

Installation of equipment

IMPORTANT: It is essential to refer to the installation instructions for information on the size of the safety areas.

-  Impact area (minimum normative surface)
-  Free space



1	0,6m	6m ²
2	1m	4m ²
3	1,5m	6,5m ²
4	1,77m	12m ²
5	1,95m	8,5m ²
6	2,37m	10m ²



3



18h00



1.17m³



47m²



869kg



32kg

