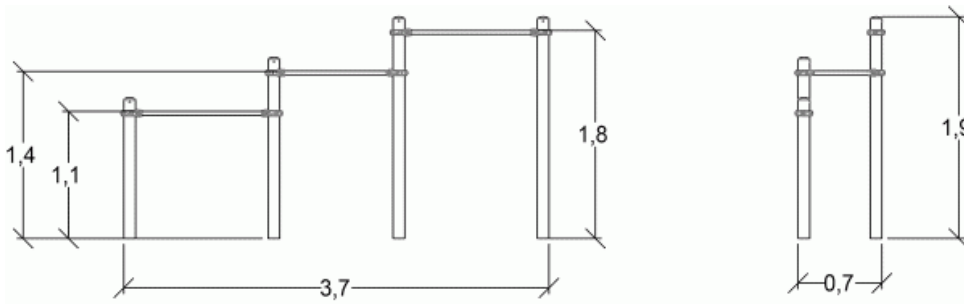
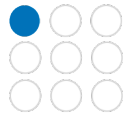


Motor inclusion
Sensory inclusion
Mental inclusion



Play value : 3

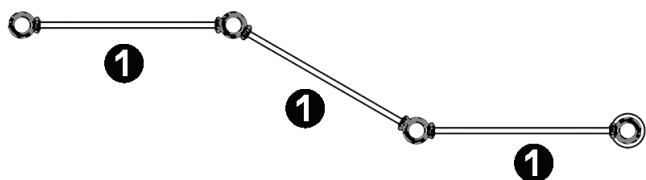
hanging



x3

Components

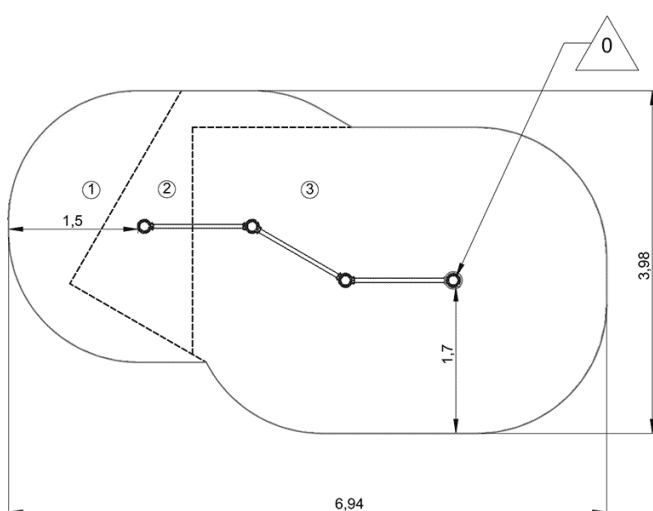
① Horizontal bar L:1.25m



Installation of equipment

Impact area =

— Impact area
- - - Free space



1	1,1m	4m ²
2	1,45m	3m ²
3	1,8m	16m ²



2



02h00



0.8m³



23m²



86kg



19kg

EN

16 630