

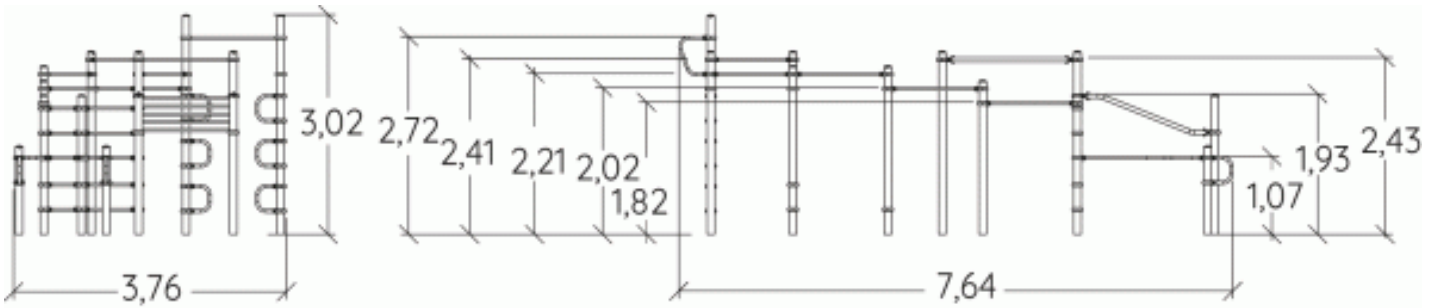


1 = 7,64m
2 = 3,76m
3 = 3,02m

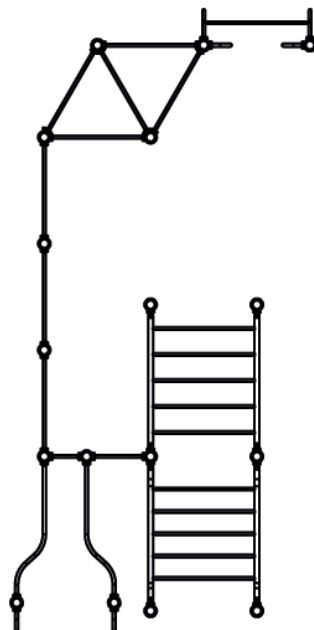
14+

17

1,7m



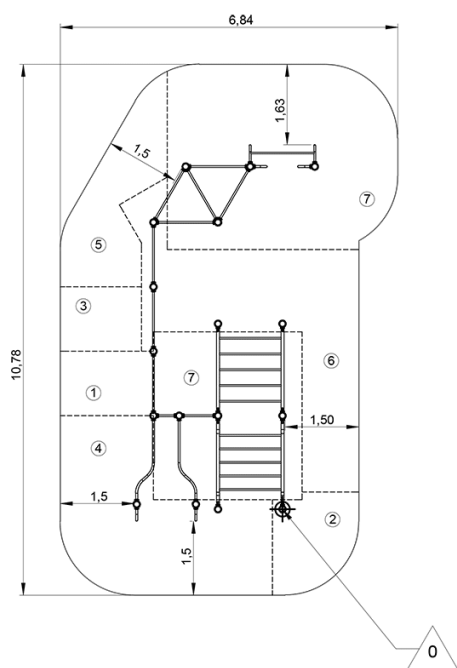
Components



Installation of equipment

Impact area =

— Impact area
- - - Free space



1	0,78m	11m ²
2	0,8m	2,5m ²
3	0,9m	3m ²
4	1m	2,5m ²
5	1,2m	5m ²
6	1,4m	12,5m ²
7	1,7m	27m ²



3



12h00



3.1m³



63.5m²



555kg



28kg

