



14+



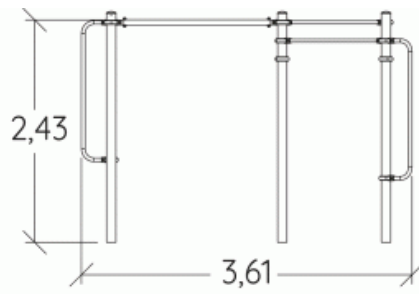
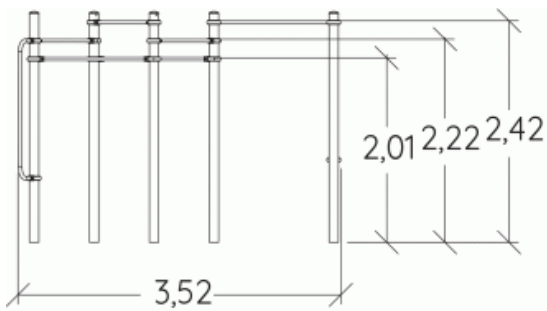
9



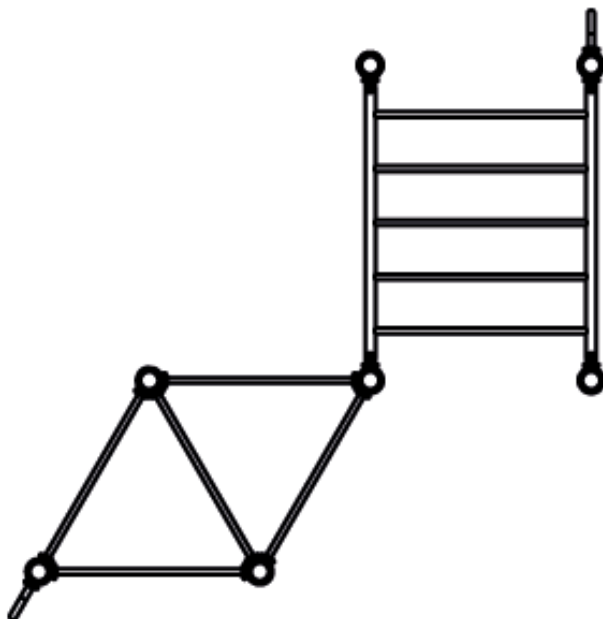
1,4m



1 = 3,61m
2 = 3,52m
3 = 2,52m



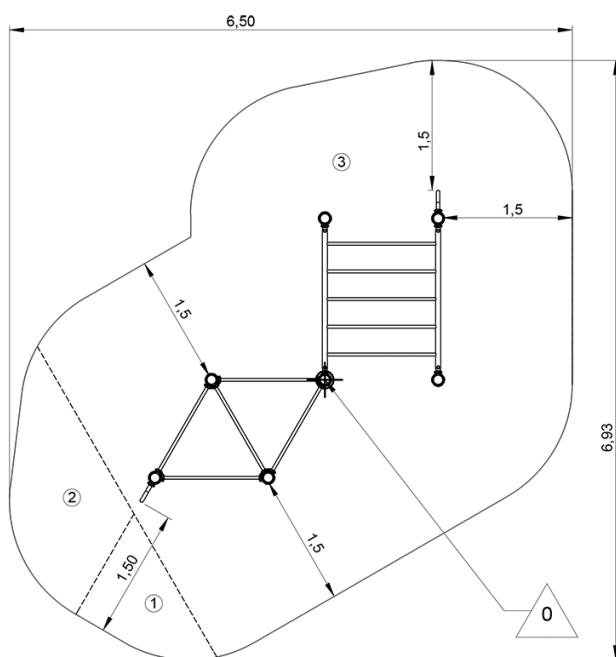
Components





Installation of equipment

Impact area =

— Impact area
- - - Free space



		
1	1m	1,5m ²
2	1,2m	2,5m ²
3	1,4m	28,5m ²



3



04h00



1.5m³



32.5m²



239kg



24kg

