



14+



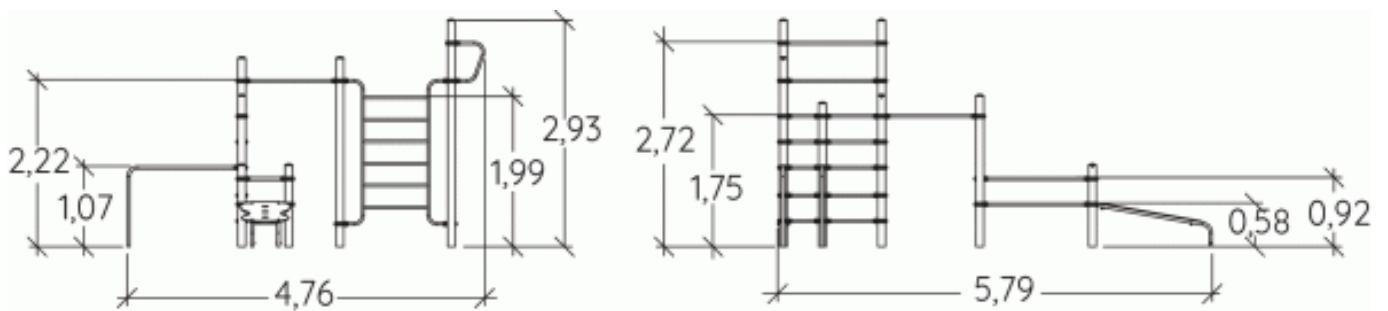
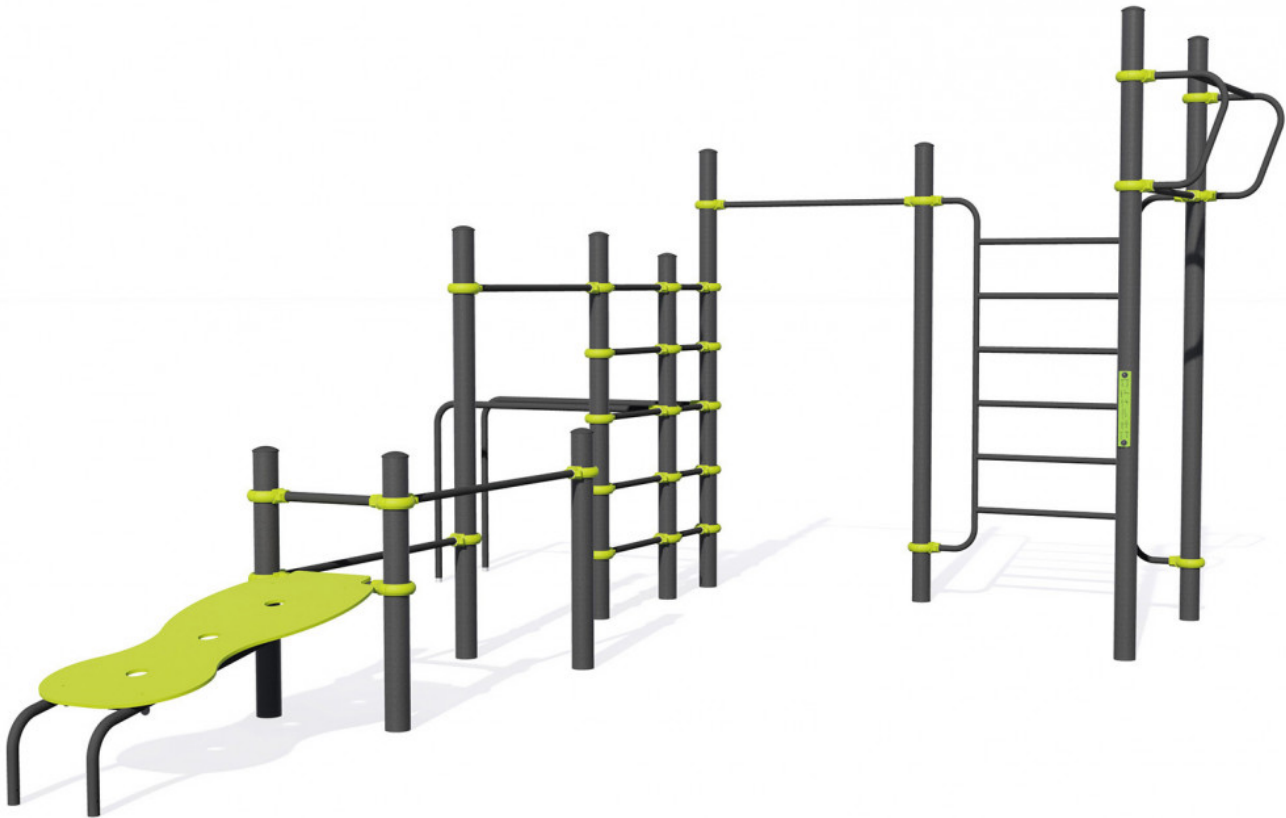
11



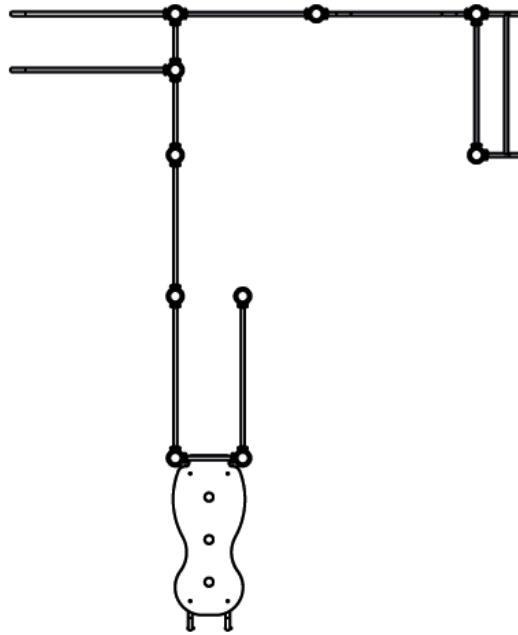
2m



1 = 5,79m
2 = 4,76m
3 = 3,02m



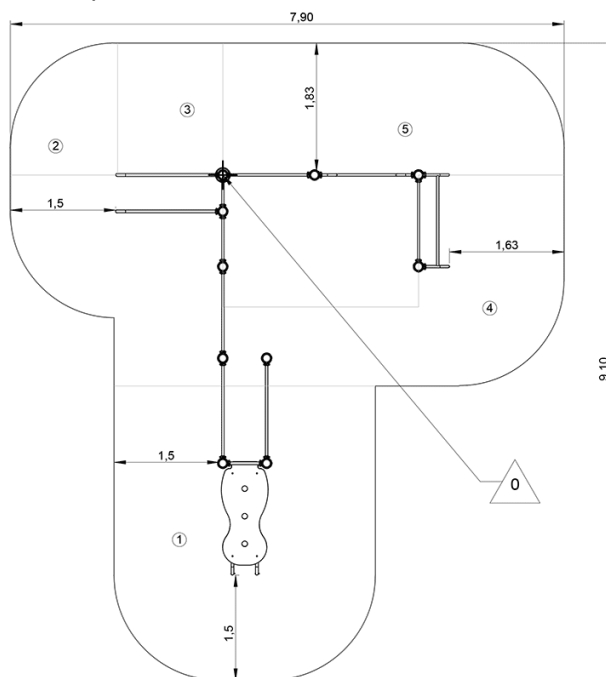
Components



Installation of equipment

Impact area =

 Impact area
 Free space



| | | |
|---|-------|--------------------|
| 1 | 0,95m | 15m ² |
| 2 | 1,1m | 2,5m ² |
| 3 | 1,2m | 3m ² |
| 4 | 1,7m | 16,5m ² |
| 5 | 2m | 14m ² |



2

07h00

1.9m³

51m²

322kg

28kg



EN

16 630