



2+



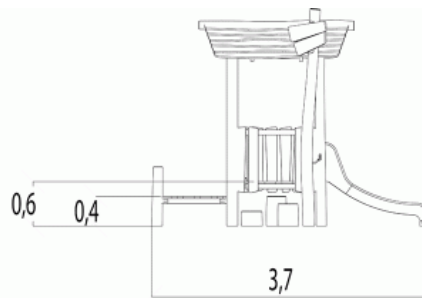
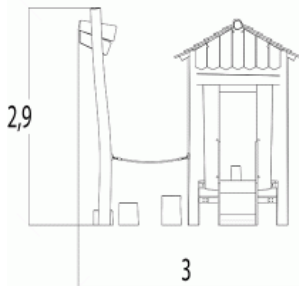
10



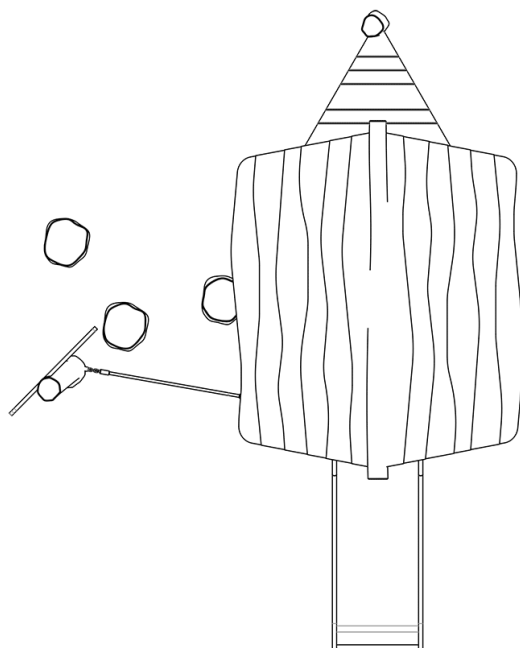
0,6m



1 = 3,7m
2 = 3m
3 = 2,9m



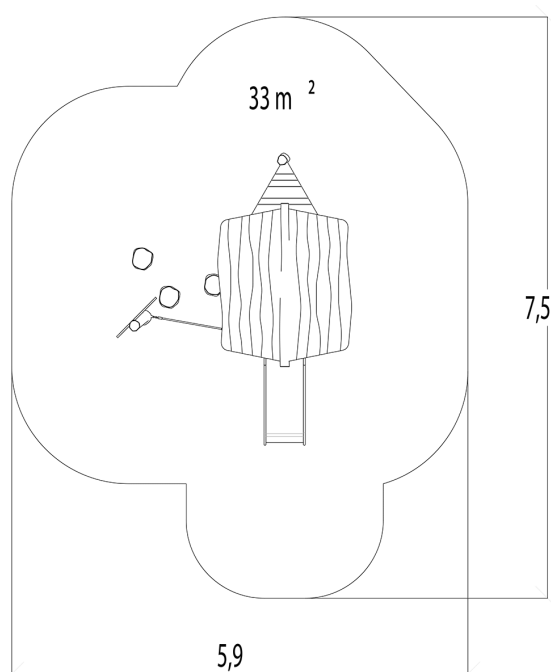
Components



Installation of equipment

Impact area =

- Impact area
- Free space



| | | |
|---|-------|------------------|
| | | |
| 1 | 0,60m | 33m ² |



0

h

0.13m³

33m²

-

-

EN

1176