



2+



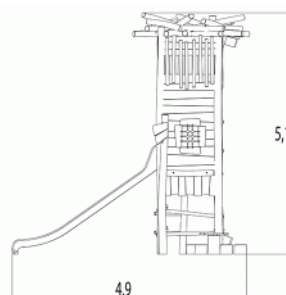
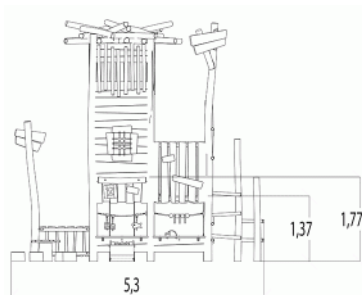
26



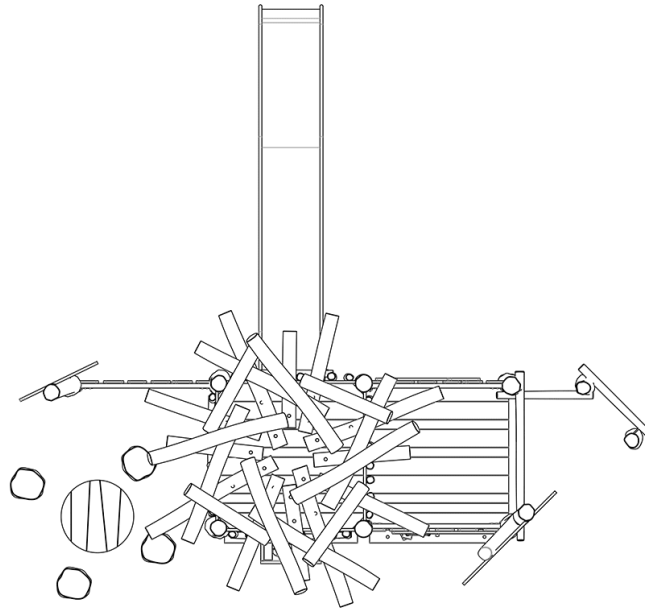
1,77m



1 = 5,3m  
2 = 4,9m  
3 = 5,1m



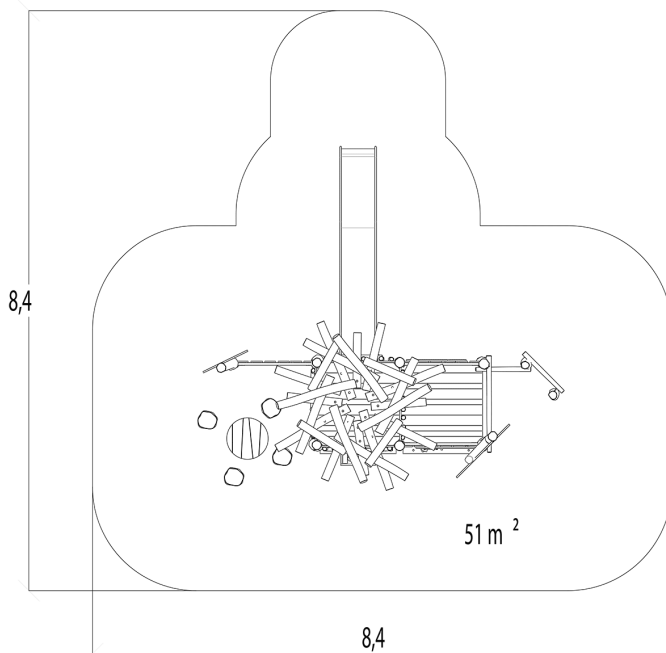
## Components





## Installation of equipment

Impact area =

-  Impact area
-  Free space



		
1	1,77m	51m <sup>2</sup>



0



h



0.19m<sup>3</sup>



51m<sup>2</sup>



-



-

