



2+



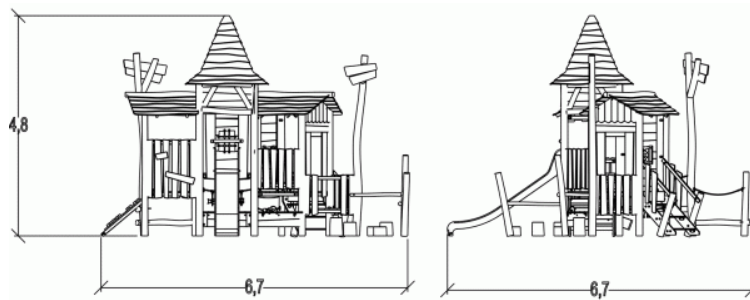
37



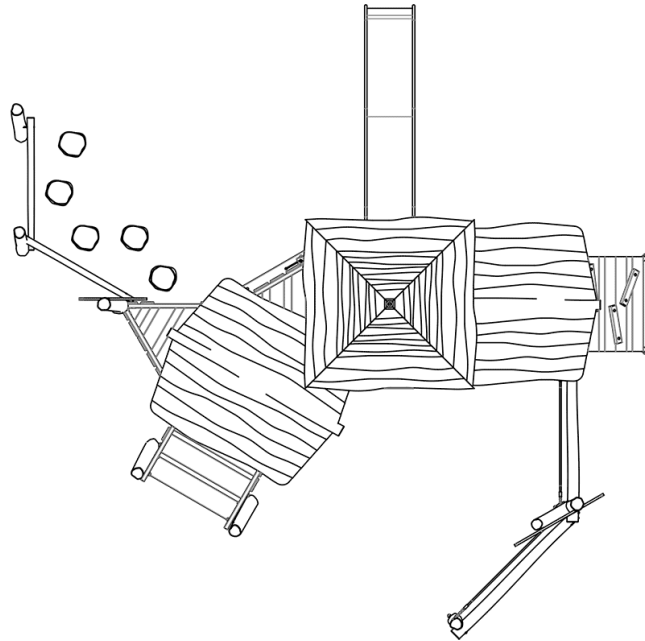
1,37m



1 = 6,7m
2 = 6,7m
3 = 4,8m



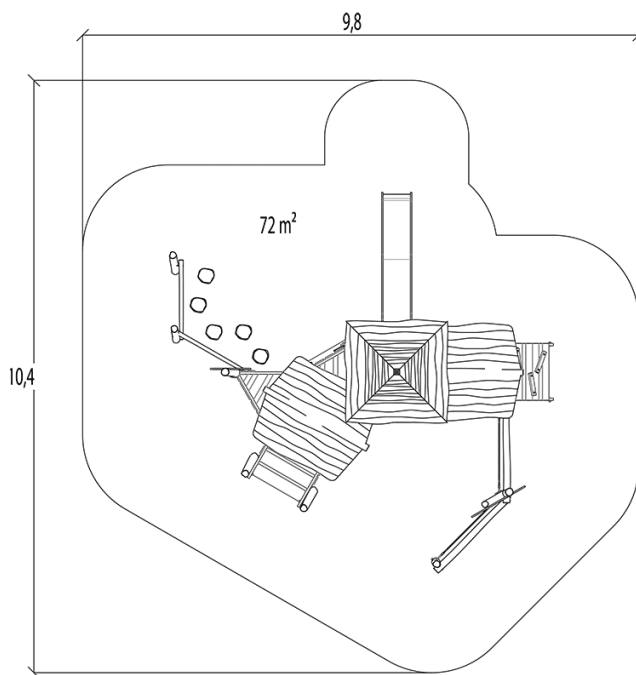
Components





Installation of equipment

Impact area =

-  Impact area
-  Free space



		
1	1,37m	72m ²



0

h

0.26m³

72m²

-

-

EN

1176